



514-3

1/10 Off Road Racing Electric Buggy

SWORKz 514-3

INSTRUCTION MANUAL



S14-3

1/10 Off Road Racing Electric Buggy

Item No: SW-910032

Item Name: SWORKz S14-3 1/10 4WD EP Off Road Racing Buggy Pro Kit

INSTRUCTIONS

More top drivers joining SWORKz, has helped in the development and improvement of our 1/10 off road electric buggies. The brand new SWORKz S14-3 is a straight result of that.

Based on the success of the S14-2, SWORKz further developed its 1/10 off road buggy and came out with the S14-3.

One of its most unique features is the 5mm Axle Universal Cross Drive Shafts that were specially designed and made from SWORKz 1/8th buggy steel material.

For carpet off road racing, we gave up the pivot ball system and went with the C-Hub steering system. With the new C-Hub system, the S14-3 now has a new and improved front and rear suspension shock system.

The S14-3 new developed front and rear arms are made from strong composite nylon materials.

Standard included in the kit is the new Centre Slipper Clutch System.

The T-7075 aluminum chassis with its center flex system gives more rear grip. When equipped with the new front and rear upper carbon decks, the buggy has even more traction.

The S14-3 includes many high quality parts, a refined shock system and option parts.

Many SWORKz Factory Team Option Parts are included.

SWORKz utilizes only the highest quality materials and industry leading manufacturing processes resulting in a faster, stronger, and more reliable racing car.

The S14-3 Pro Kit is designed to win.

Congratulations on your purchase of the new SWORKz S14-3 1/10 scale off-road racing buggy pro kit.

Please read this manual carefully, before you attempt to drive your S14-3. This manual contains step-by-step instructions to help you complete, prepare for startup, and fine-tune your S14-3. Updates, setups, and product news will be posted on our website (www.sworkz.com). So check often.

If you should have any questions or need help with your S14-3, please feel free to contact our official SWORKz dealers and distributors, as they will be glad to help you. You may also contact us at any time for the most up to date information and support.

S14-3 Pro Kit Features :

1. T7075 aluminum B.H.C(Black Hard Coated) chassis with its new center flex system.
2. High performance CNC crown gears and pinion gears.
3. Unique 5mm Axle Universal Cross Drive Shafts.
4. New Centre Slipper Clutch System.
5. New Pro-composite Carbon Fiber shock towers with new geometry Shock Positions.
6. New design shock bodies with 3mm Teflon hard coated shafts.
7. Front and rear arms made from strong composite nylon materials.
8. Kit comes standard with both, 9 and 11 degree front C Hubs.
9. New Adjustable Steering Plate with New Bell Crank.
10. Full aluminum arm holders with adjustable Toe-in Block.
11. Aluminum Steering Servo Mount.
12. Velocity 2.0 Body Shell with Formula Bulkhead Wing.

Specification	
Length:	385mm
Width:	245mm
Height:	170mm
Ground Clearance:	50mm
Wheelbase:	282-285mm
Track:	F:232mm / R:222mm
Gear Ratio:	C:81T/19T, F/R 42/17T
Weight:	1698g (Race condition)

S14-3

1/10 Off Road Racing Electric Buggy

Item No: SW-910032

Item Name: SWORKz S14-3 1/10 4WD EP Off Road Racing Buggy Pro Kit

INSTRUCTIONS

Unter Mitwirkung unserer SWORKz Werkspiloten wurde über einen längeren Zeitraum und in zahlreichen Tests bei Rennen der neue SWORKz S14-3 entwickelt. Die Qualität der Werkstoffe und der Verarbeitung setzt neue Maßstäbe.

Grundlegend verändert wurde die Vorderachse. Hier haben wir unsere Pivot Ball Strategie aufgegeben. C-Hub hat sich in den Tests als die schnellere Version erwiesen. Serienmäßig ist auch der Slipper in der Mitte enthalten. Dieser wurde durch neue Mittelhalter und kleinere Hauptzahnräder so tief wie möglich gesetzt.

5mm Kardangelenke vorne und hinten wurden speziell designed, mit der Erfahrung aus dem 1/8.

Ebenfalls völlig neu sind die Stoßdämpfer. Exakte Fertigung und hochwertige Materialien garantieren eine perfekte Funktion. Querlenker vorne und hinten sind neu und aus hochwertigem Composite Nylon.

Das Chassis aus hochwertigem T7075 Aluminium mit neuem „Center Twist“ System bietet optimale Traktion. Ausgestattet mit den neuen vorderen und mittleren Carbon Decks erhöht sich die Traktion nochmals.

Der Baukasten enthält viele SWORKz Tuningteile. Die hochwertigen Materialien gepaart mit den neuesten Fertigungsmethoden, resultieren in einem schnelleren, stabileren aber auch zuverlässigeren Fahrzeug, dem SWORKz S14-3.

SWORKz S14-3, gebaut um zu siegen.

Gratulation zum Kauf des neuen SWORKz S14-3 1/10 Off Road Buggy Baukasten.

Bitte lesen sie die Beschreibung und Bauanleitung sorgfältig, bevor Sie mit Bau beginnen.

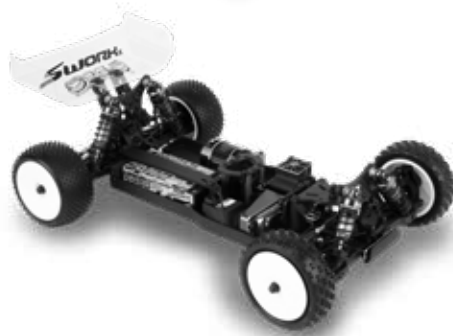
Die Bauanleitung hilft ihnen Schritt für Schritt beim Bau aber auch beim Setup und Tuning ihres SWORKz S14-3. Auf unserer Homepage www.sworkz.com stehen immer die neuesten Setups zum Download zur Verfügung.

Sollten Sie dennoch Fragen haben stehen unsere SWORKz Partner jederzeit zur Verfügung. Gerne können Sie uns auch direkt kontaktieren um die letzten Neuheiten zu erfahren.

S14-3 Pro Kit Features :

1. T7075 Aluminium BHC (Black hard coated) Bodenplatte mit neuem Center Flex System
2. CNC gefertigte Tellerräder und Trieblinge in Top Qualität
3. Spezielle 5mm Kardanwellen
4. Neuer Center Slipper
5. Pro-Composite Carbon Stoßdämpferhalter mit neuer Geometrie
6. Neue Stoßdämpfergehäuse mit 3mm Kolbenstangen in hardcoating
7. Querlenker hinten und vorne aus hochfestem Composite Nylon
8. 9 und 11 Grad C-Hubs standardmäßig im Baukasten
9. Neue einstellbare Lenkungsplatte
10. Querlenkerhalter aus Aluminium mit Einstellbuchsen
11. Lenkservohalterung aus Aluminium
12. Velocity 2.0 Karosserie mit Heckspoiler

Specification	
Length:	385mm
Width:	245mm
Height:	170mm
Ground Clearance:	50mm
Wheelbase:	282 - 285mm
Track:	Vo 232mm / Hi 222mm
Gear Ratio:	Mitte 81/19 / Vo+Hi 42/17
Weight:	1698g (rennfertig)



WARRANTY

Your SWORKz S14-3 kit warranty covers workmanship and manufacturing defects of the original and unmodified parts. Warranty claims resulting from crashes, abuse, improper operation, improper mounting, improper adjustment or lack of maintenance will not be honored.

Contact your local hobby shop or SWORKz distributor for all claims and questions. Claims must be well documented. All Claims are subject to expert examination and approval by SWORKz.

SWORKz
www.sworkz.com

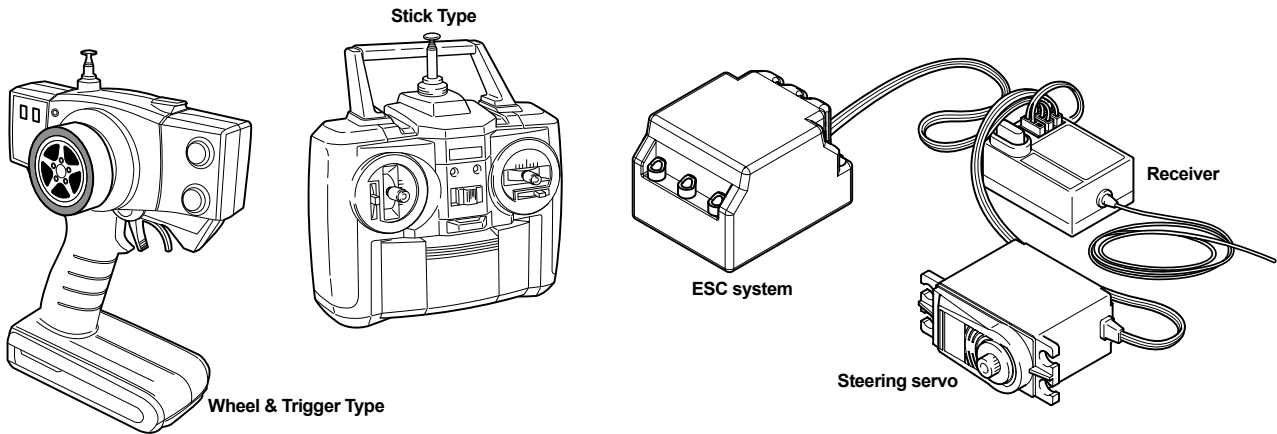
Instruction	2-3
Warranty	4
Index	5
Required equipment for operation	6
Operation guide	7
Assembly steps	8-28
Set-up sheet	29-30
Blank set-up sheet	30-31
S14-3 key no. list	32-33
S14-3 spare part list	34
S14-3 option parts list	35
End cover	36



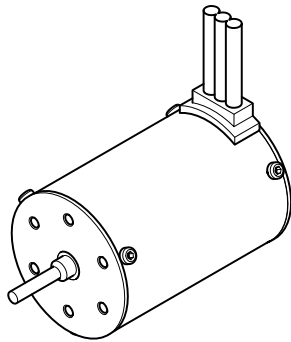
**This radio control racing car is not a toy!
This high-performance R/C model is recommended for ages
14 and older.**

Required Equipment for Operation

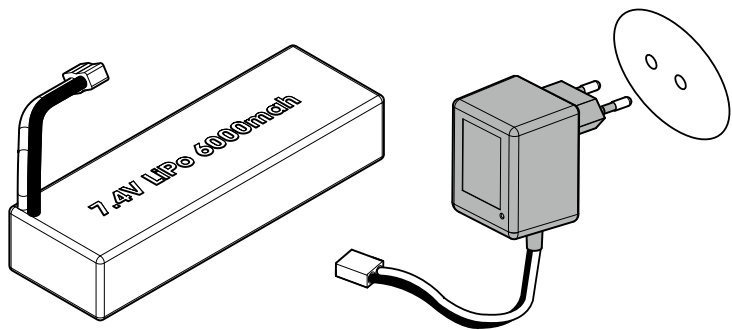
Radio Gear



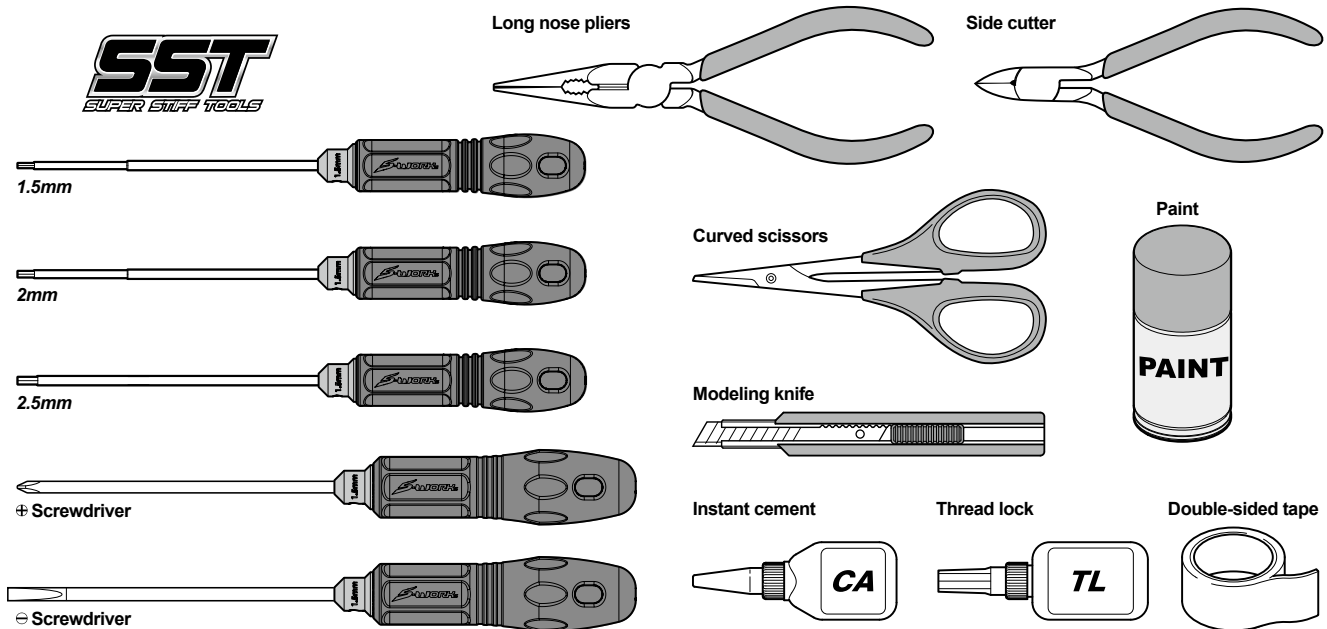
Breshless Motor



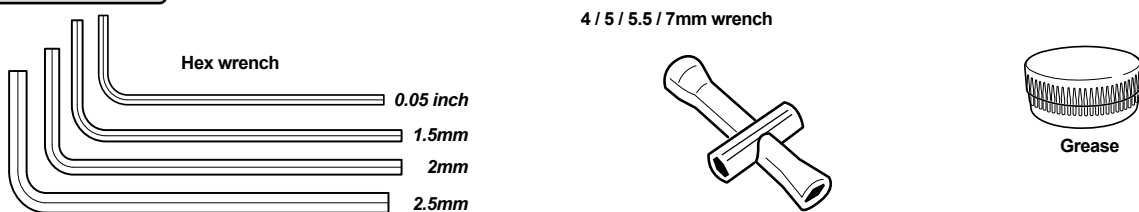
Charger and LiPo Battery



Tools Recommended



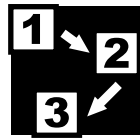
Included items



Operation Guide



Assemble front and rear



Assemble in the specified order



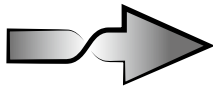
Assemble both left and right sides



Assemble for 2 sets



Assemble for 4 sets



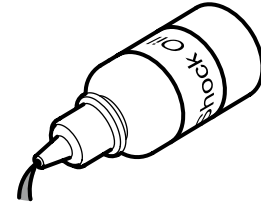
overturn



Thread Locking Compound



Grease



Pure Silicone Oil

Safety Precautions

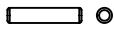
The SWORKz S14-3 is a high performance radio control model which needs to be operated with caution and common sense.

The S14-3 Pro Kit is not intended for children under the age of 14 without adult supervision. SWORKz shall not be held liable for any loss or damages, whether direct, indirect, act of nature, arising from abuse or misuse of this product or any other product required.

- The LiPO Battery can be dangerous if improperly handled.
- Always keep your LiPO Battery in a cool area and never use it near flames, sparks, or while smoking.
- Keep your LiPO Battery, and all other flammables, out of the reach of children.
- After running your car, all parts of the Motor and ESC can become extremely hot. Be careful not to touch these parts.
- This model is controlled by your radio controller and can be vulnerable to interference from many outside sources. This interference can cause a loss of control so it is necessary to operate this model in an open area to avoid personal or property damage. Always ensure turning on your radio first.
- Keep all the products included in the package out of the reach of children.
- This model contains many fast rotating parts. Never touch them during operation.
- Follow the instructions included with your radio gear.
- Never operate your model near people or property. The speed of this model has the potential to injure people and or damage property if misused.
- Always use original SWORKz spare parts and option parts.
- Always ensure that the buggy is in proper working condition before use.
- Always exercise caution when using any tools.

BAG B

1 **F/R** **x2**



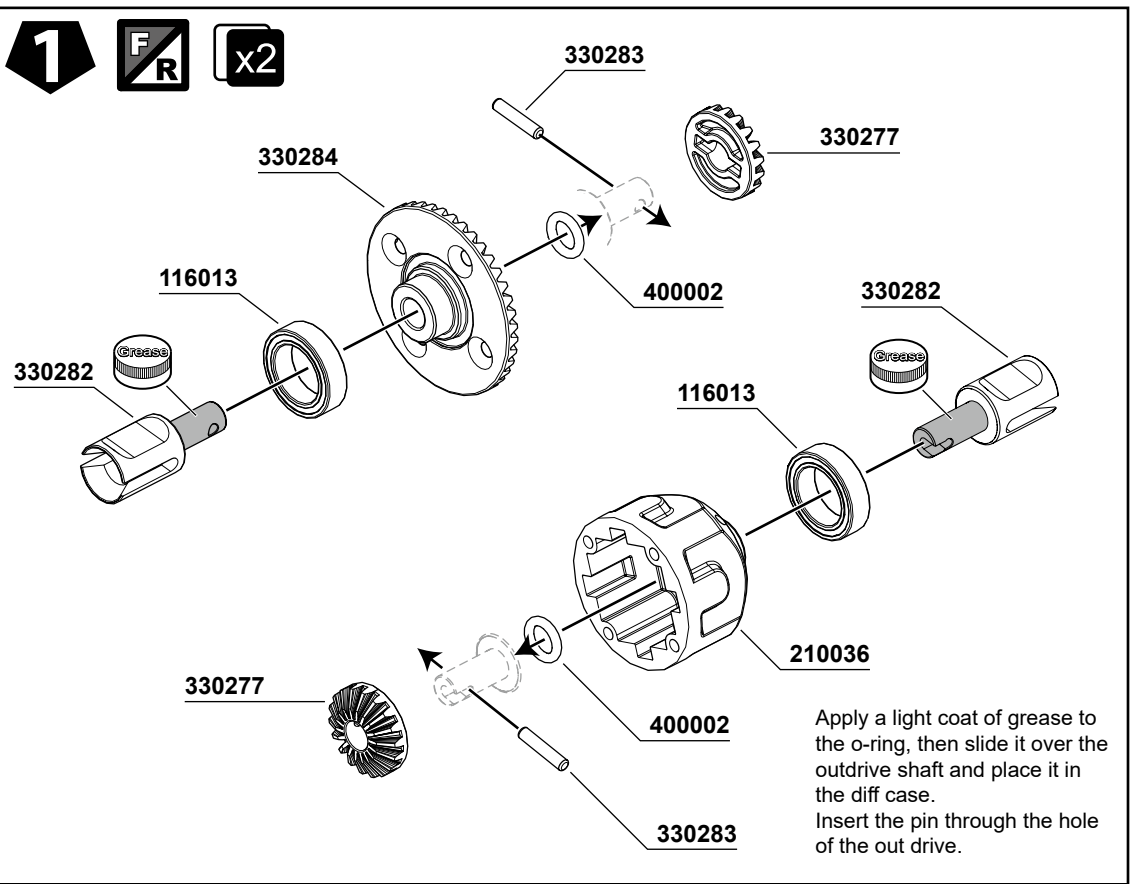
330283
Pin M2x10mm x4



400002
O-ring S5 4.8x1.5 x4



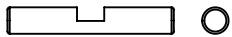
116013
Ball Bearing 10x15x4mm x4



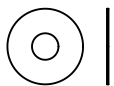
2 **F/R** **x2**



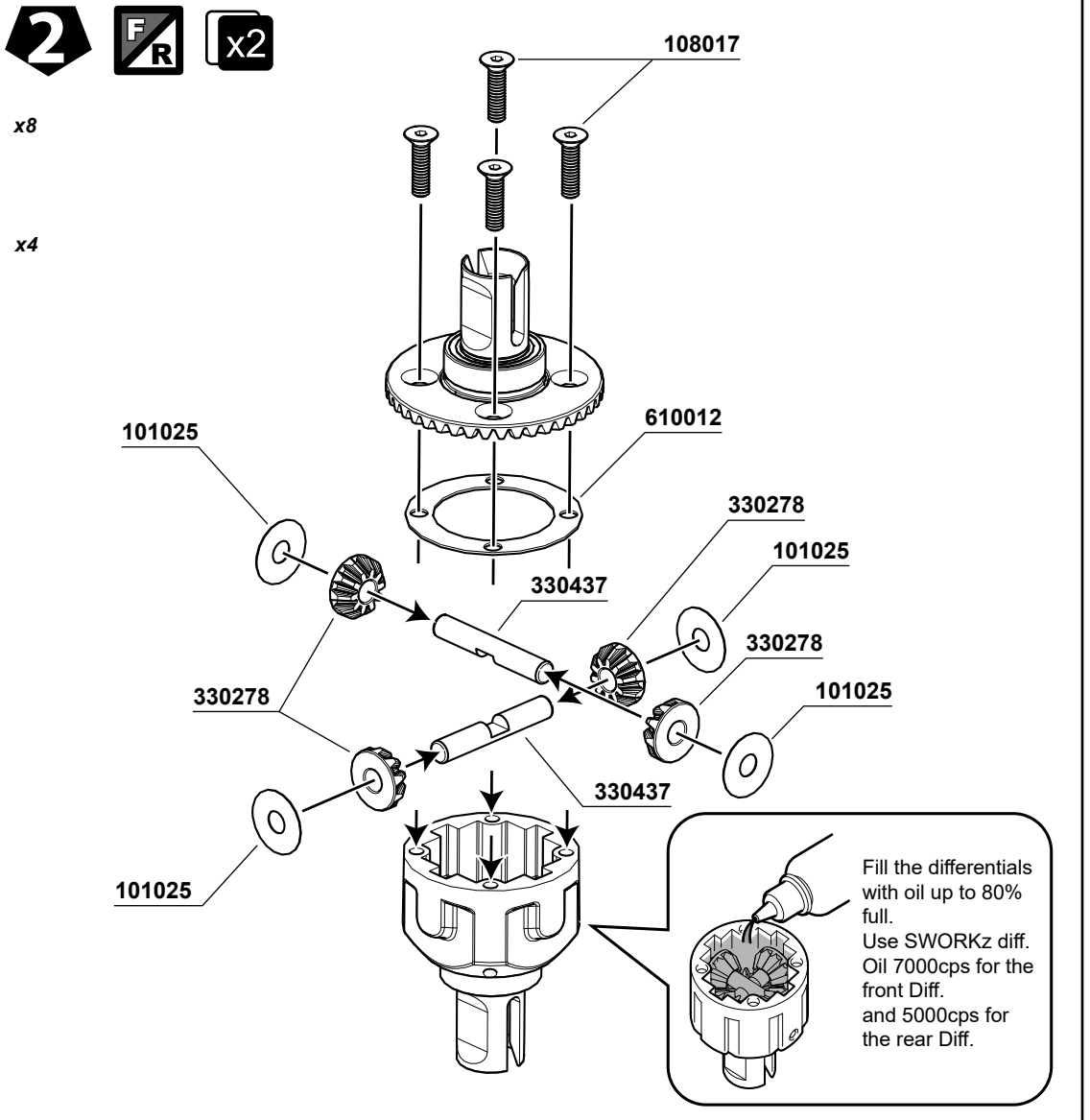
108017
M2.6x10mm FH/ST HEX Screw x8



334037
S14-3 Aluminum Bevel Gear Pin x4



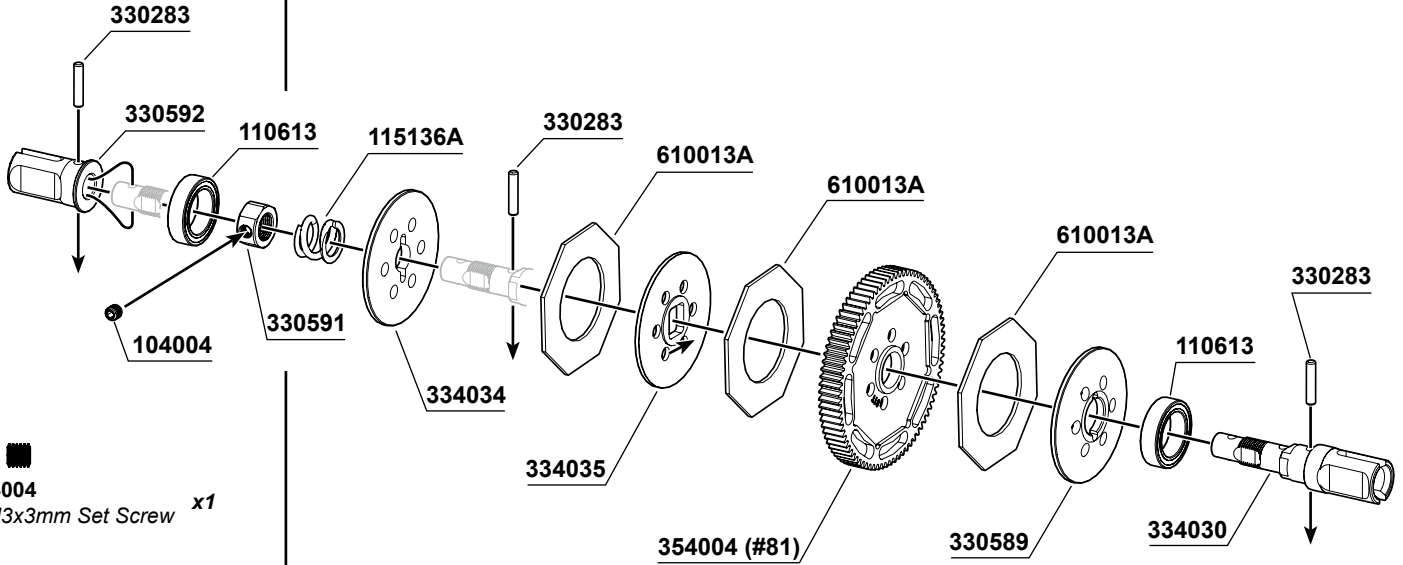
101025
Washer 3.5X10X0.1mm x8



BAG C

3

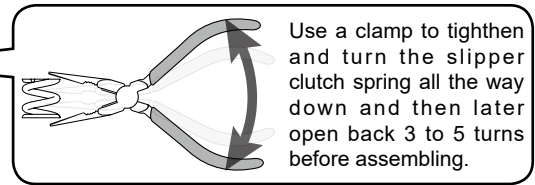
330283
S104 Pin M2.0x10mm x3



104004
M3x3mm Set Screw x1

116013
Ball Bearing 10x15x4mm x2

115136A
S14-3 Center Slipper Clutch Spring (1.3mm)(SL) x1



BAG D

4 Front

Pro Tip:
Before installing the M4x4 set screw (104011), remember to clean the set screw and center driver joint (3304003) first. Then apply TLC on the set screw.

104011
M4x4mm Set Screw (Flat Bottom) x1

108001
M3x12mm FH/ST HEX Screw x4

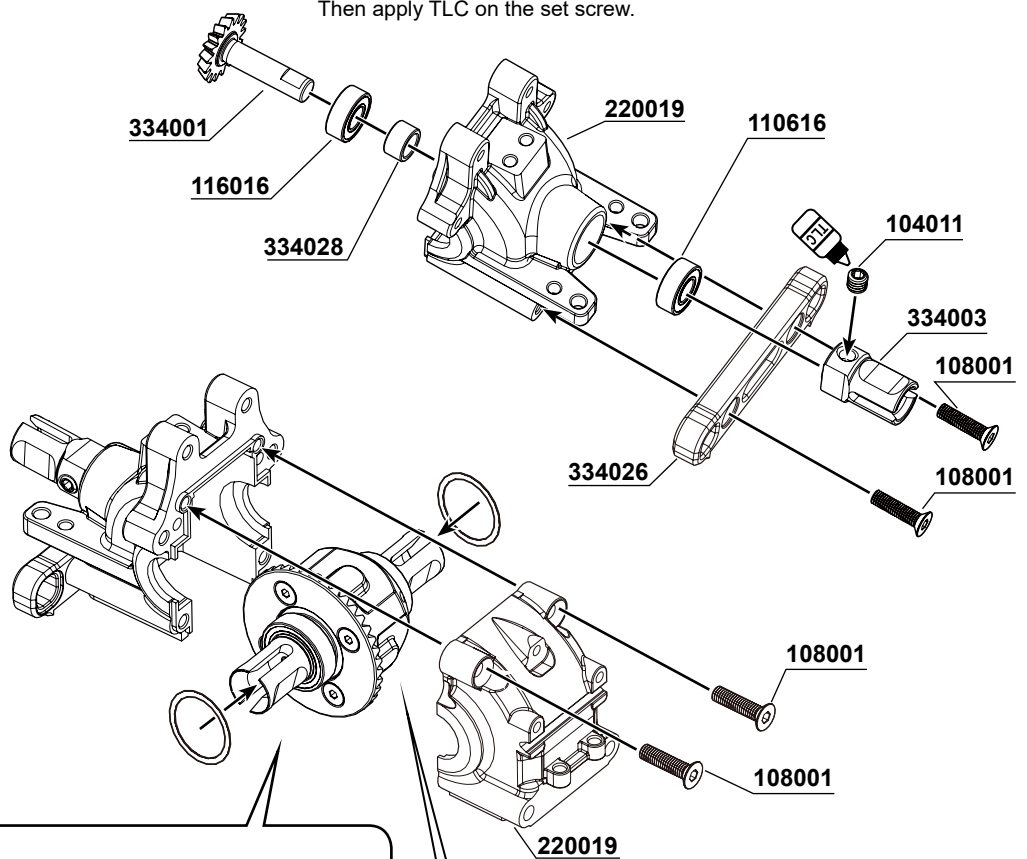
116016
Ball Bearing 5x11x4mm x2

334028
S14-3 Pinion Gear Stopper 5x7x4mm x2

Share with step no.5

101023
10x12x0.1mm S104 Shim x2

101024
10x12x0.2mm S104 Shim x4



Note:
SHIM
Please use 10x12x0.1mm (101023) or 10x12x0.2mm (101024) shims to adjust the play between the crown gear and pinion gear.

Apply a light coat of grease to the crown gear before assembly the gear box.



104011
M4x4mm Set Screw (Flat Bottom) x1



108001
M3x12mm FH/ST HEX Screw x4

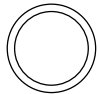


116016
Ball Bearing 5x11x4mm x2

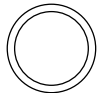


334028
S14-3 Pinion Gear Stopper 5x7x4mm x2

↓ Share with step no.4 ↓



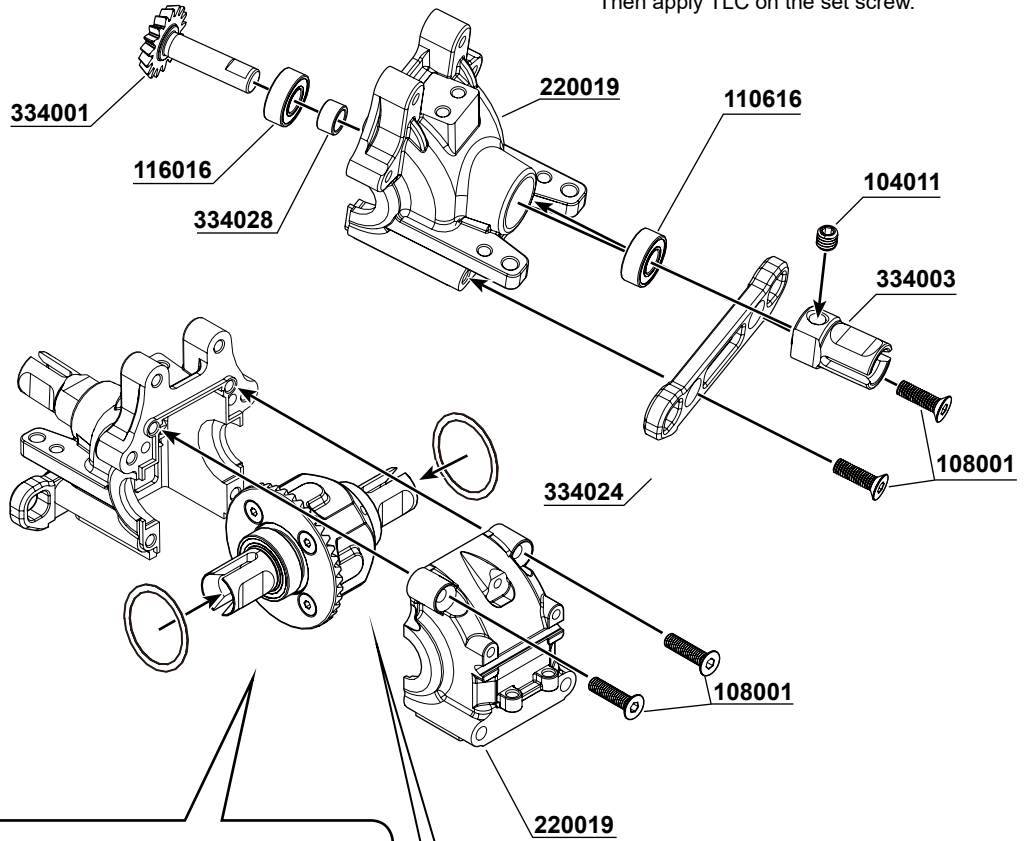
101023
10x12x0.1mm S104 Shim x2



101024
10x12x0.2mm S104 Shim x4

5 Rear

Pro Tip:
Before installing the M4x4 set screw (104011), remember to clean the set screw and center driver joint (334003) first. Then apply TLC on the set screw.



Note:
SHIM
Please use 10x12x0.1mm (101023) or 10x12x0.2mm (101024) shims to adjust the play between the crown gear and pinion gear.

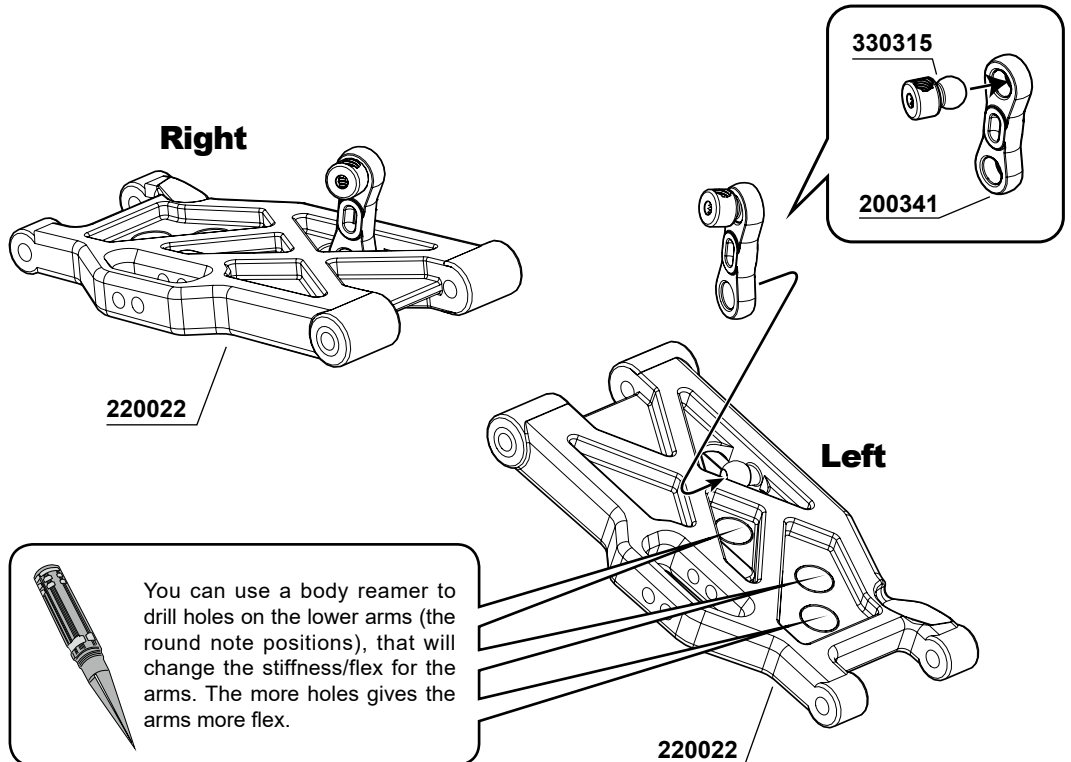
Apply a light coat of grease to the crown gear before assembly the gear box.

BAG E

6 Front x2



330315
Sway Bar Ball Stud x2

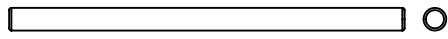


You can use a body reamer to drill holes on the lower arms (the round note positions), that will change the stiffness/flex for the arms. The more holes gives the arms more flex.

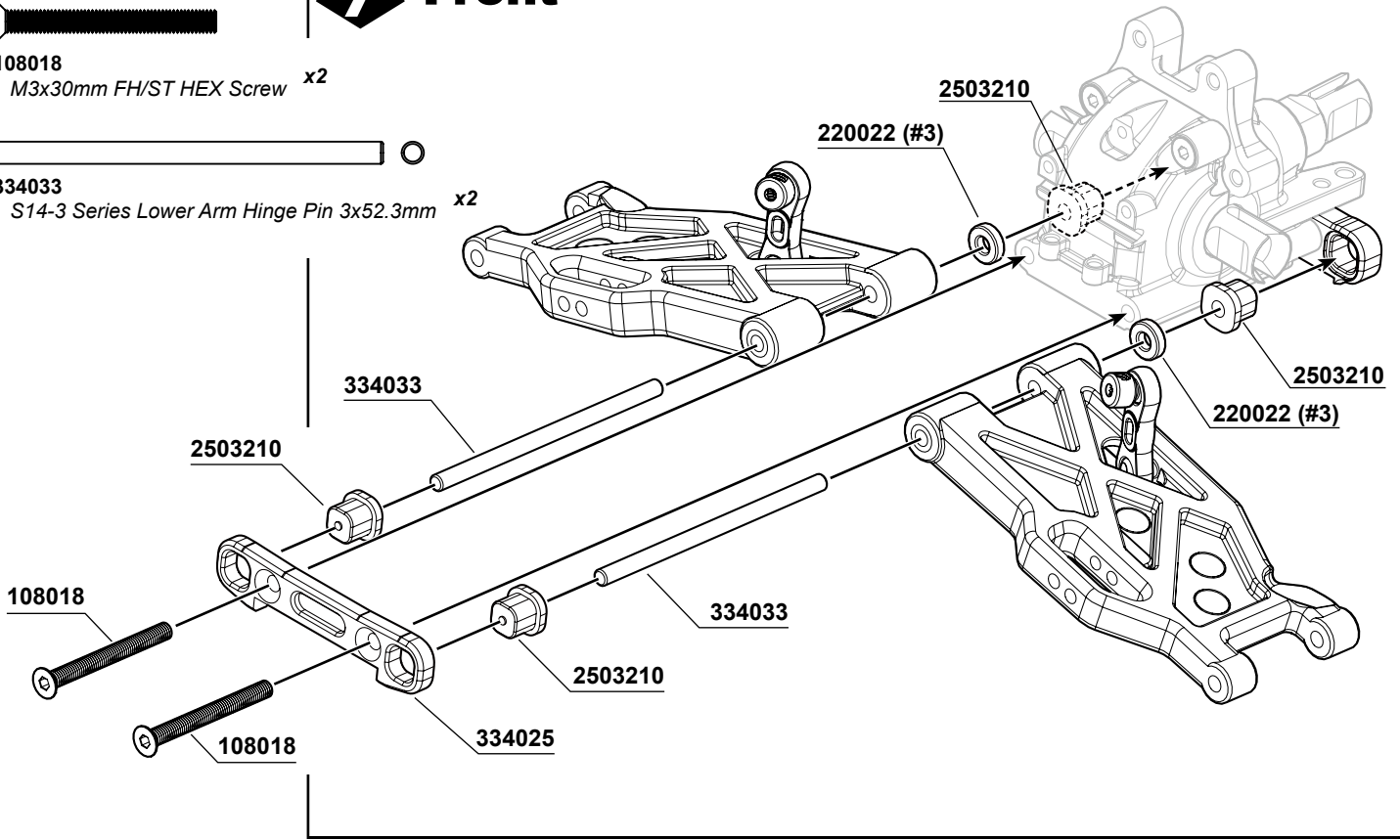
7 Front



108018
M3x30mm FH/ST HEX Screw x2



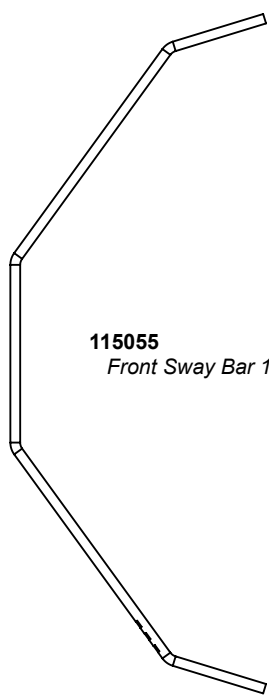
334033
S14-3 Series Lower Arm Hinge Pin 3x52.3mm x2



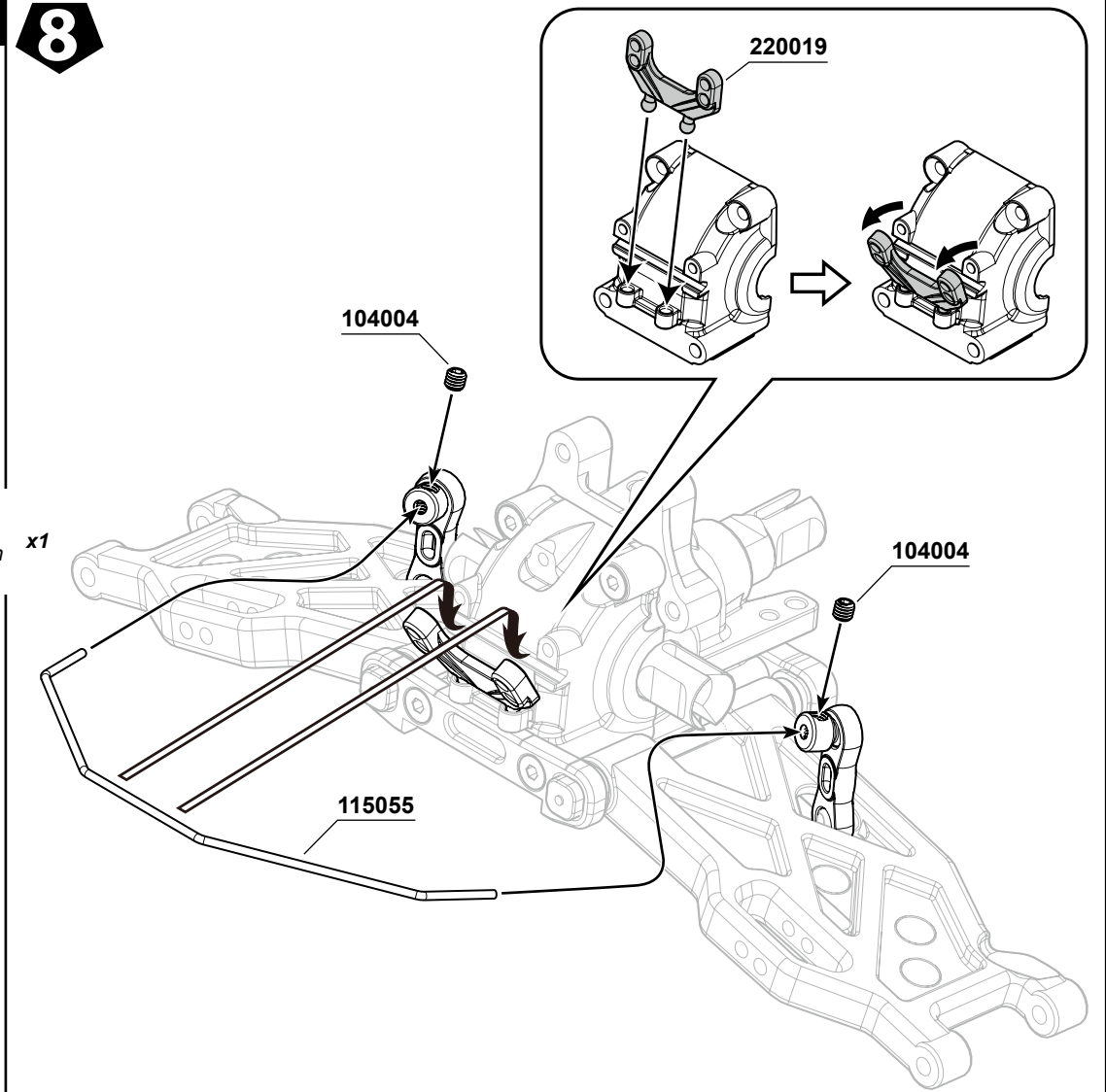
BAG E

8

104004
M3x3mm Set Screw x2



115055
Front Sway Bar 1.3mm x1



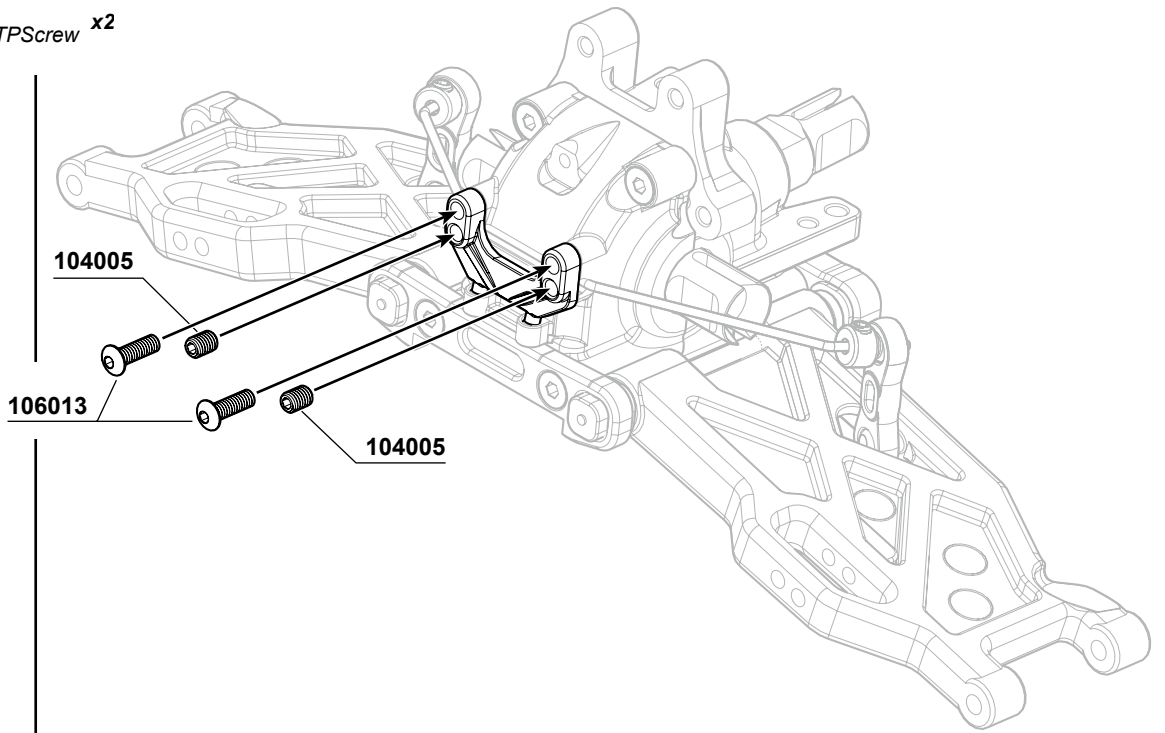
9



106013
M2.5x8mmH ex Socket OH/TPScrew x2



104005
M3x4mm Set Screw x2



BAG E

10

106002

106002

344005

106001

2501801

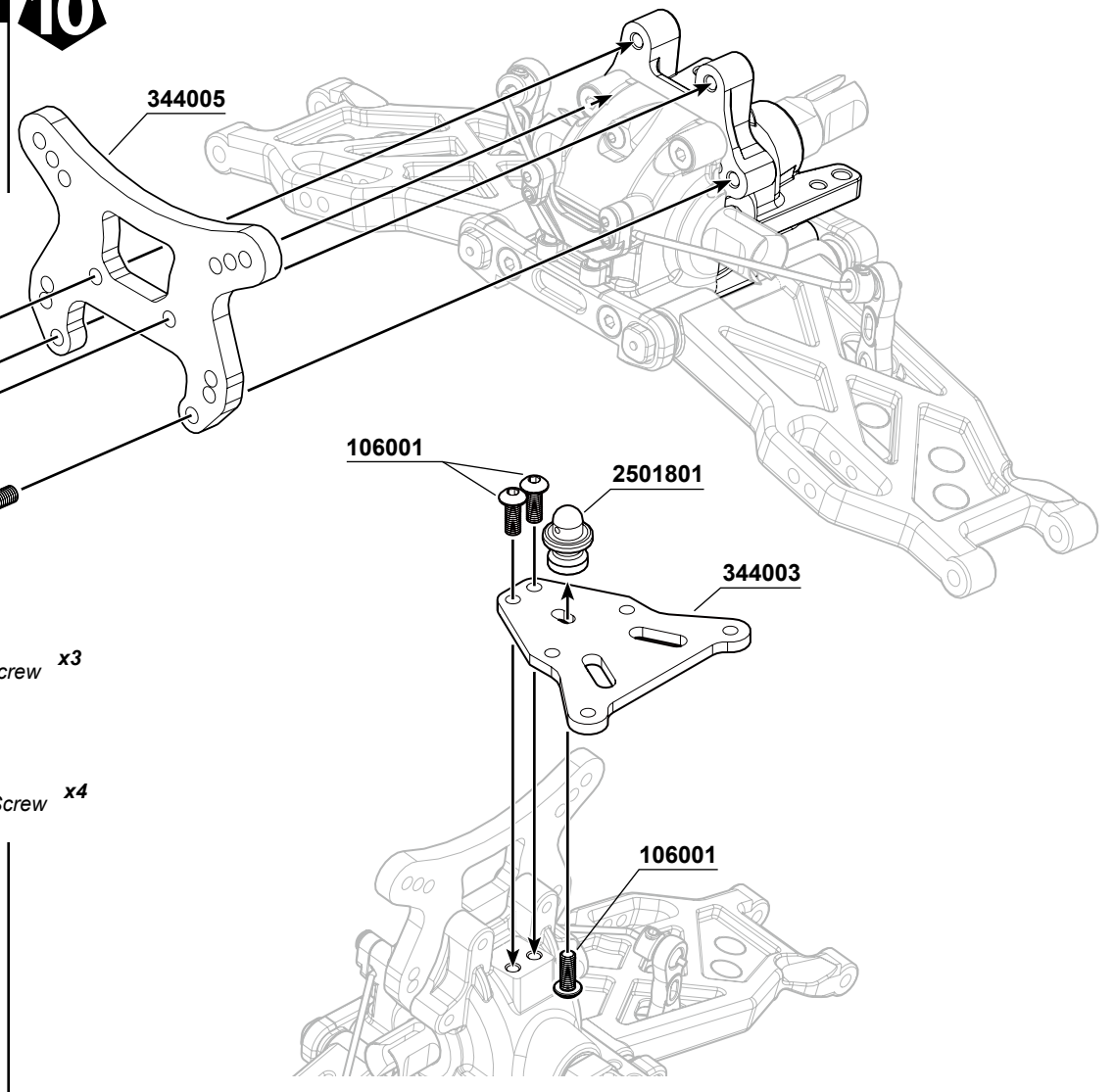
344003



106001
M3x8mm Hex Socket OH/TP Screw x3



106002
M3x10mm Hex Socket OH/TP Screw x4

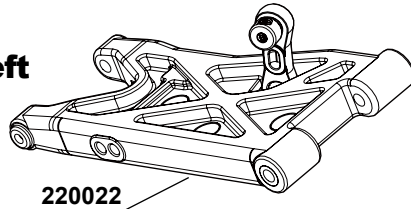




330315
Sway Bar Ball Stud x2

11 Rear x2

Left



220022

330315

200341

Right



You can use a body reamer to drill holes on the lower arms (the round note positions), that will change the stiffness/flex for the arms. The more holes gives the arms more flex.

220022

BAG E

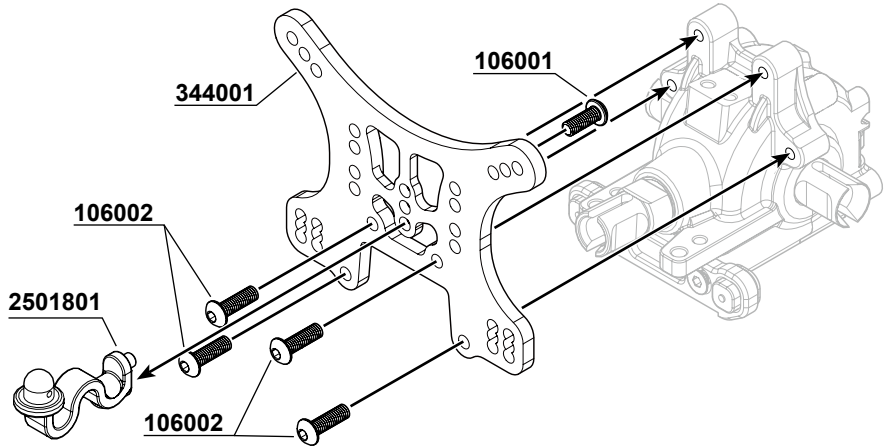
12



106001
M3x8mm Hex Socket OH/TP Screw x1



106002
M3x10mm Hex Socket OH/TP Screw x4



344001

106001

106002

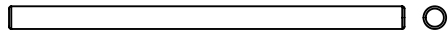
2501801

106002

13

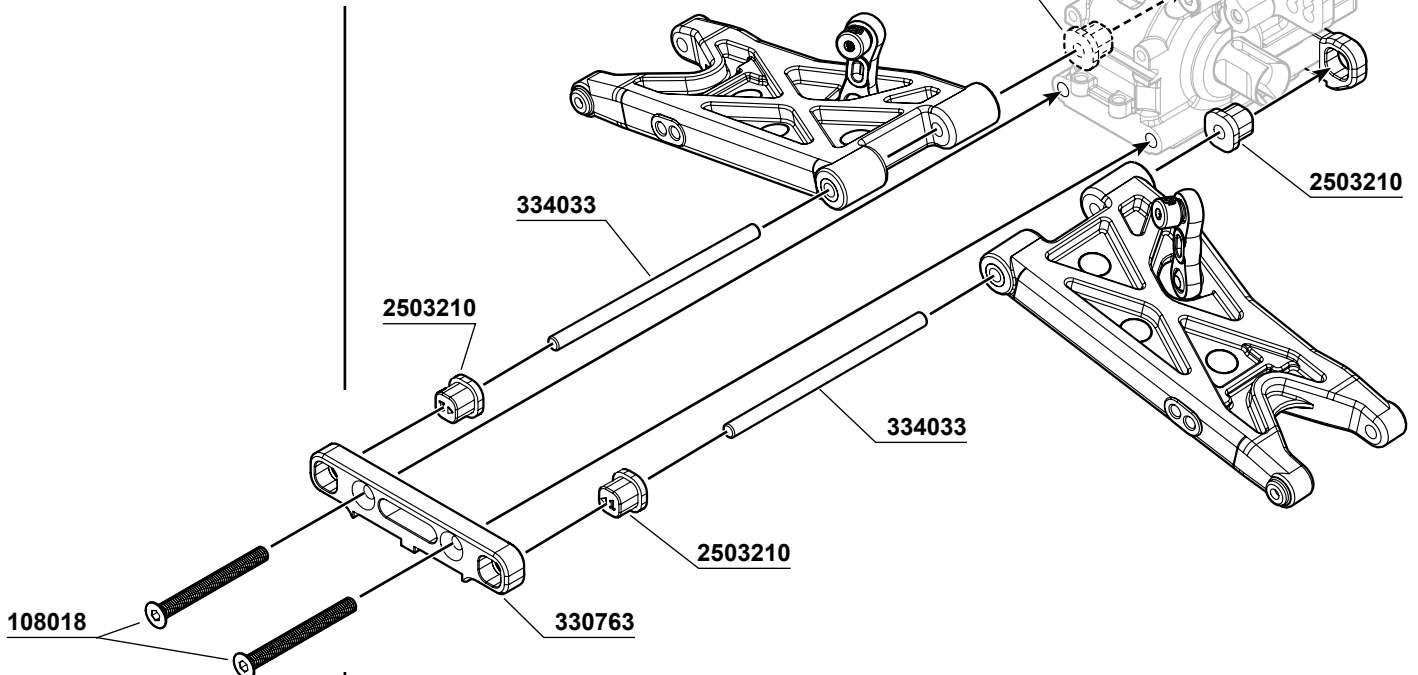


108018
M3x30mm FH/ST HEX Screw x2



334033
S14-3 Series Lower Arm Hinge Pin 3x52.3mm x2

Note:
2503210 (#1) Insert (± 1 degree)
2503210 (#2) Insert (± 0.5 degree)
2503210 (#3) Insert (0 degree)
2503210 (#4) Insert (± 0.5 kick up degree)
2503210 (#5) Insert (± 1.0 kick up degree)



2503210

2503210

334033

2503210

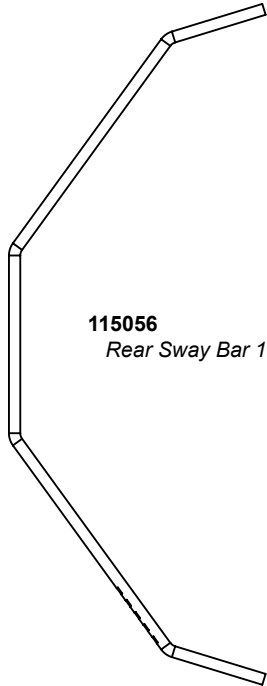
334033

2503210

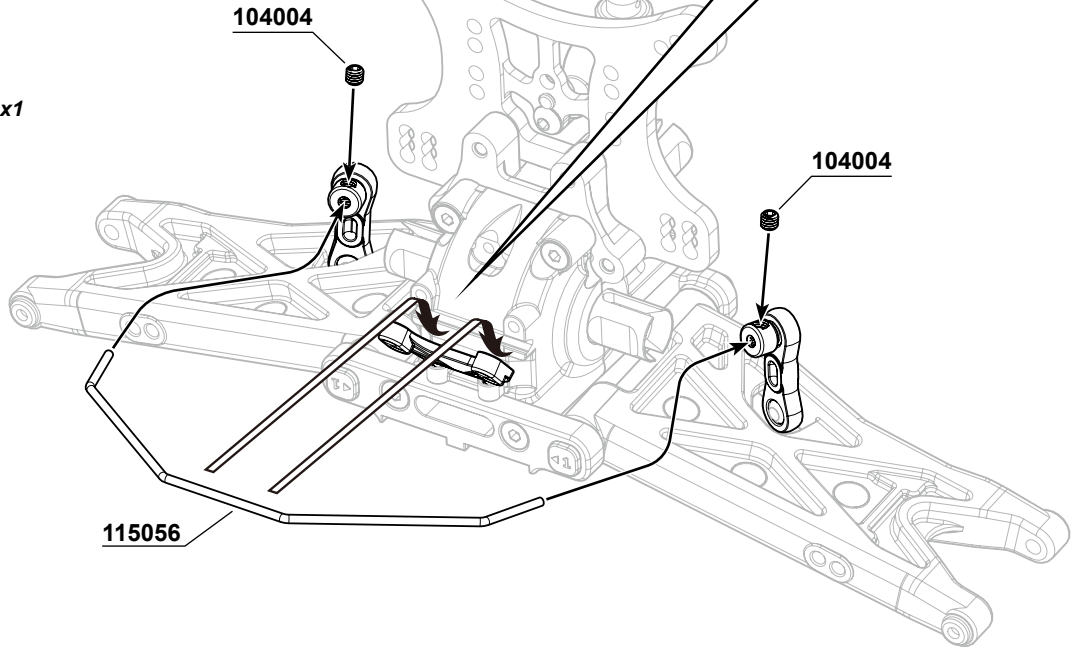
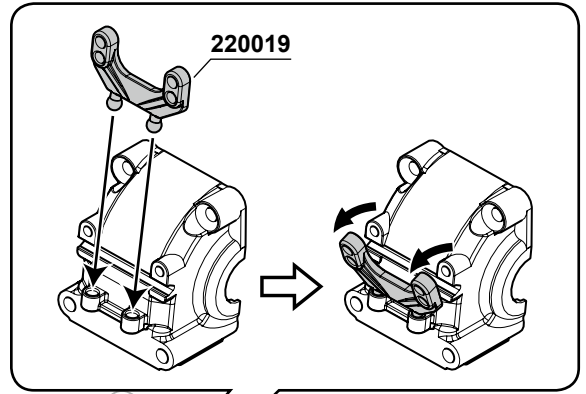
330763

108018

- 104004
M3x3mm Set Screw x2



115056
Rear Sway Bar 1.5mm x1



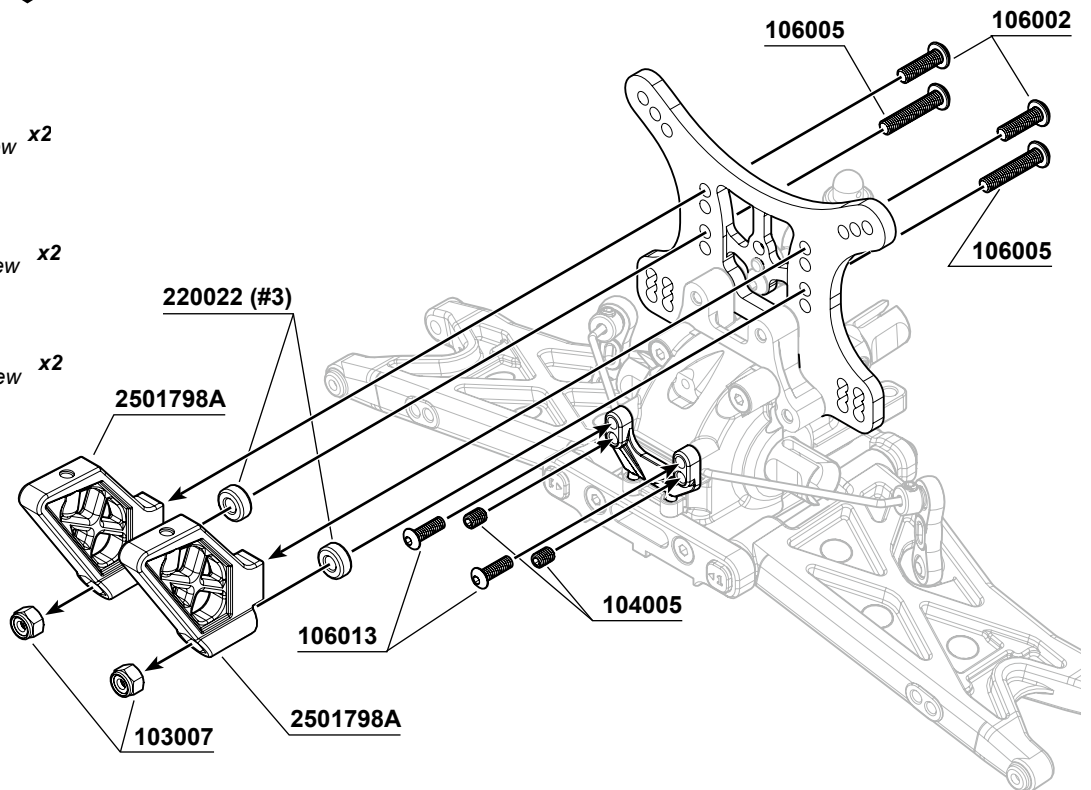
- 104005
M3x4mm Set Screw x2

- 106013
M2.5x8mmH ex Socket OH/TPScrew x2

- 106002
M3x10mm Hex Socket OH/TP Screw x2

- 106005
M3x15mm Hex Soked OH/TP Screw x2

- 103007
M3mm Nut Lock Thim (BK) x2



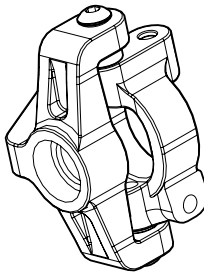


106008
M3x12mm Hex Soket OH/TP Screw x2

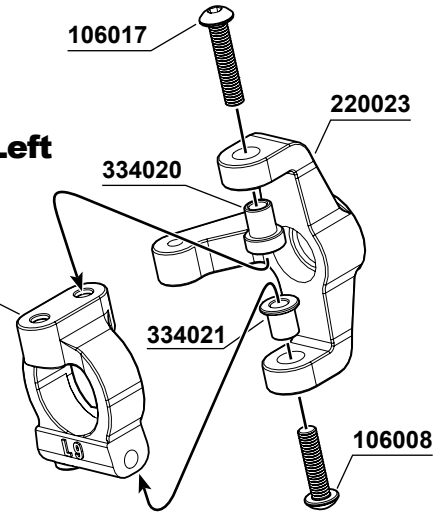


106017
M3x14mm Hex Soket OH/TP Screw x2

Right



Left



220024-9
or
220024-11

220024-9 SWORKz 1/10 S14-3 Front C Hub Set (9 Degree)
220024-11 SWORKz 1/10 S143C Front C Hub Set (11 Degree)



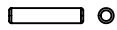
116010
Ball Bearing 5x10x4mm x2



116016
Ball Bearing 5x11x4mm x2



106014
M2.0x6mm Hex Socket OH/TP Screw x2



330283
S104 Pin M2.0x10mm x2



334029
S14-3 Wheel Hub Ball Bearing Stopper 5x7x1mm x2

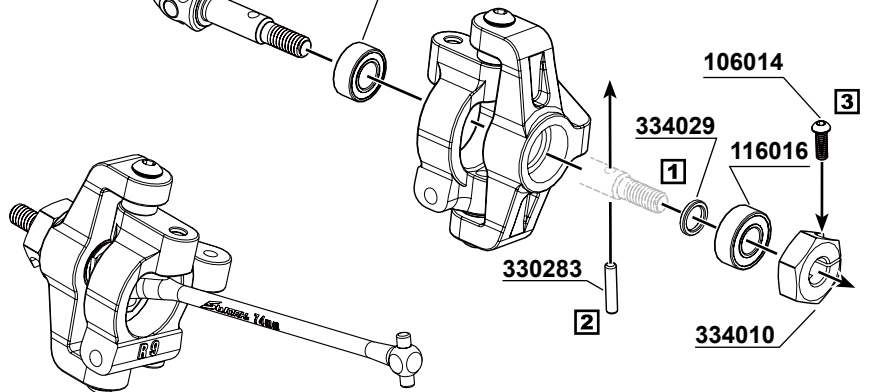


214001
S14-3 Axle Universal Cross Drive Shaft Set 74mm x2

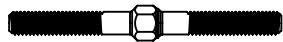
Left

214001

116010

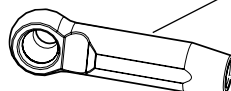


Right



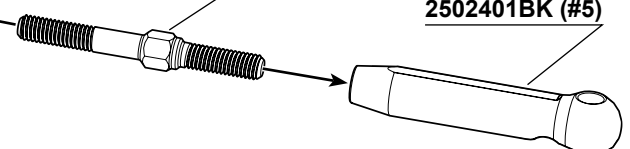
330155
Steering Servo Turnbuckle M3x30mm x2

2502401BK (#4)



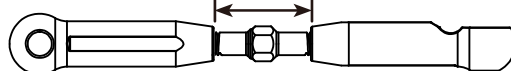
330155

2502401BK (#5)



1:1

12.65mm



104005
M3x4mm Set Screw x2

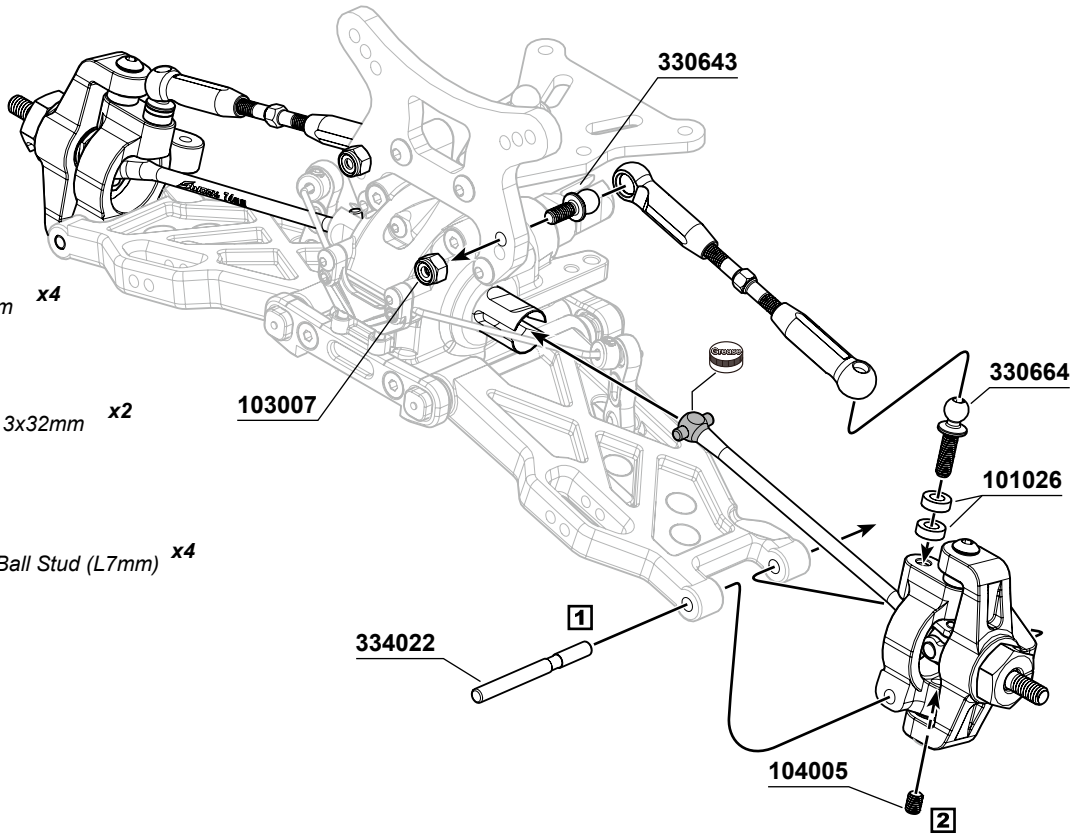
103007
M3mm Nut Lock Thim (BK) x2

101026
S102 Aluminum Washer 3X6X1.5mm x4

334022
S14-3 Series Lower Arm Hinge Pin 3x32mm x2

330643
S104 EVO Steering Linkage 5mm Ball Stud (L7mm) x4

330664
S102 5mm Ball Stud (L10mm) x2



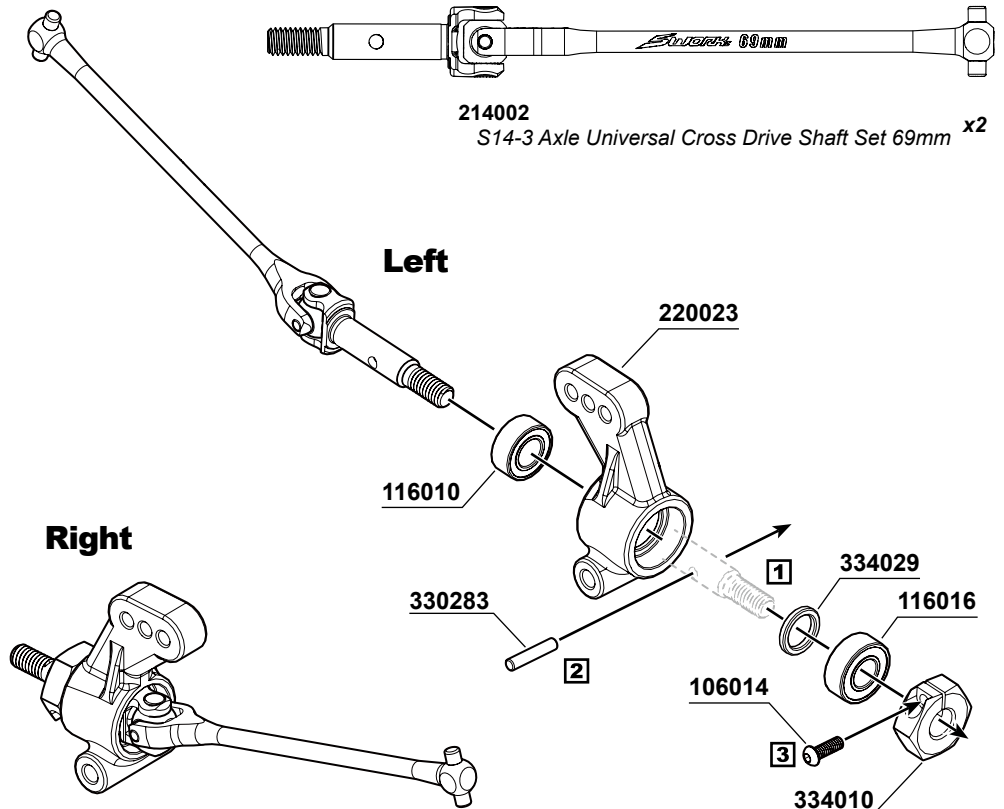
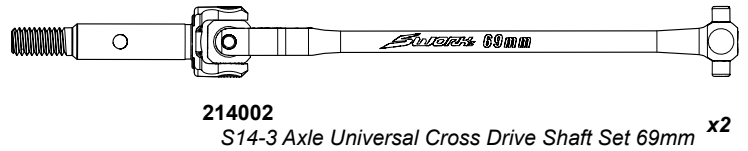
330283
S104 Pin M2.0x10mm x2

116010
Ball Bearing 5x10x4mm x2

116016
Ball Bearing 5x11x4mm x2

106014
M2.0x6mm Hex Socket OH/TP Screw x2

334029
S14-3 Wheel Hub Ball Bearing Stopper 5x7x1mm x2



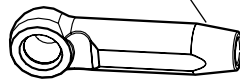
BAG F

21 **x2**

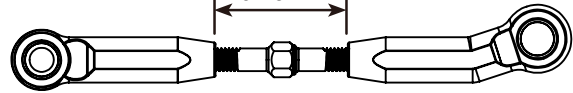


330155
Rear Upper Sus. Arm Turnbuckles **x2**

2502401BK (#4)

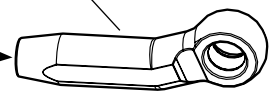


16.75 mm



330155

2502401BK (#10 #11)



1:1



106020
M2.5x5mm Hex Socket OH/TP Screw **x2**

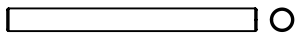
22 **x2**



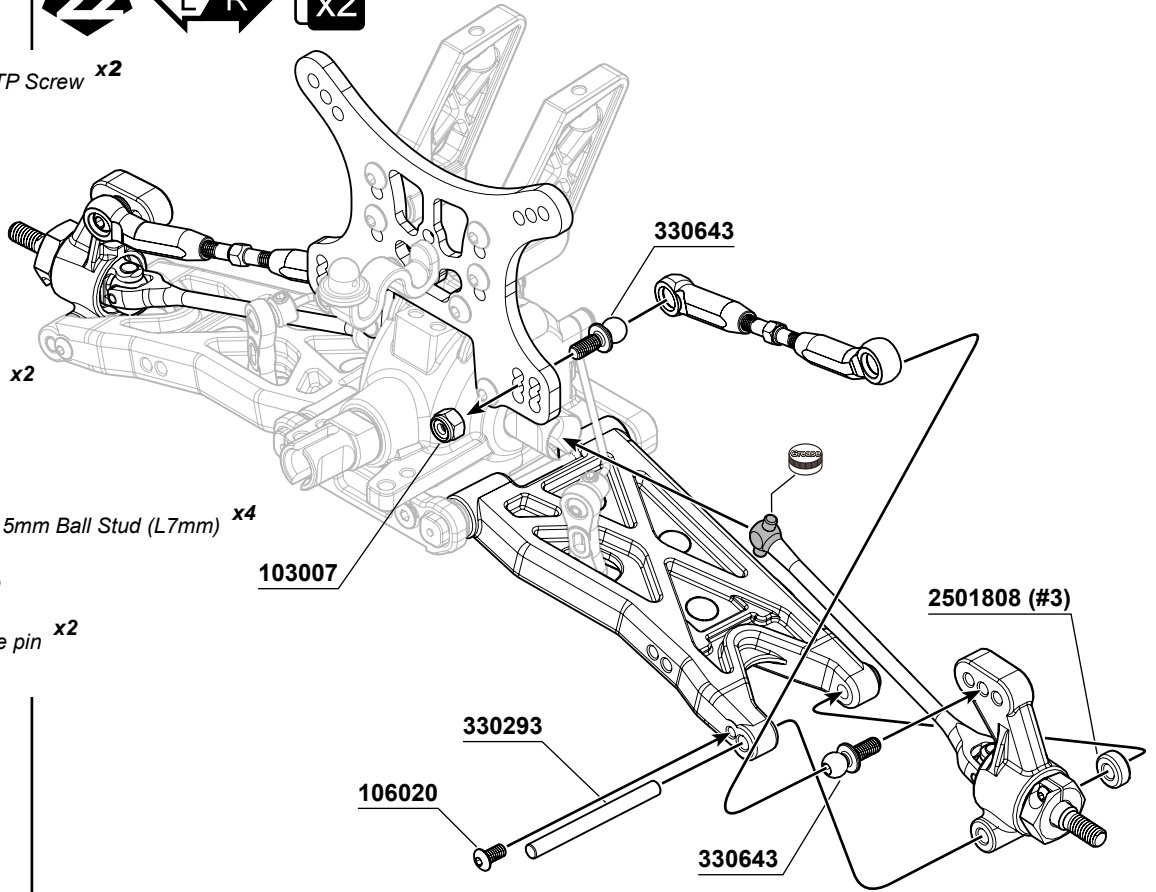
103007
M3mm Nut Lock Thim (BK) **x2**



330643
S104 EVO Steering Linkage 5mm Ball Stud (L7mm) **x4**



330293
S104 Rear Hub Carrier Hinge pin **x2**



BAG G

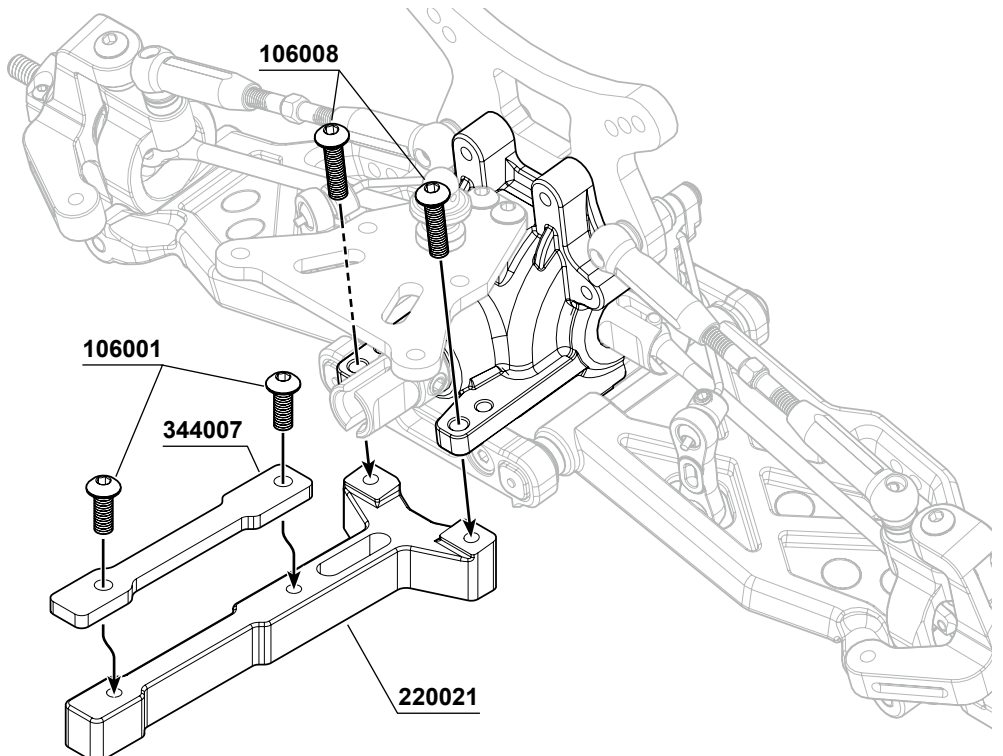
23











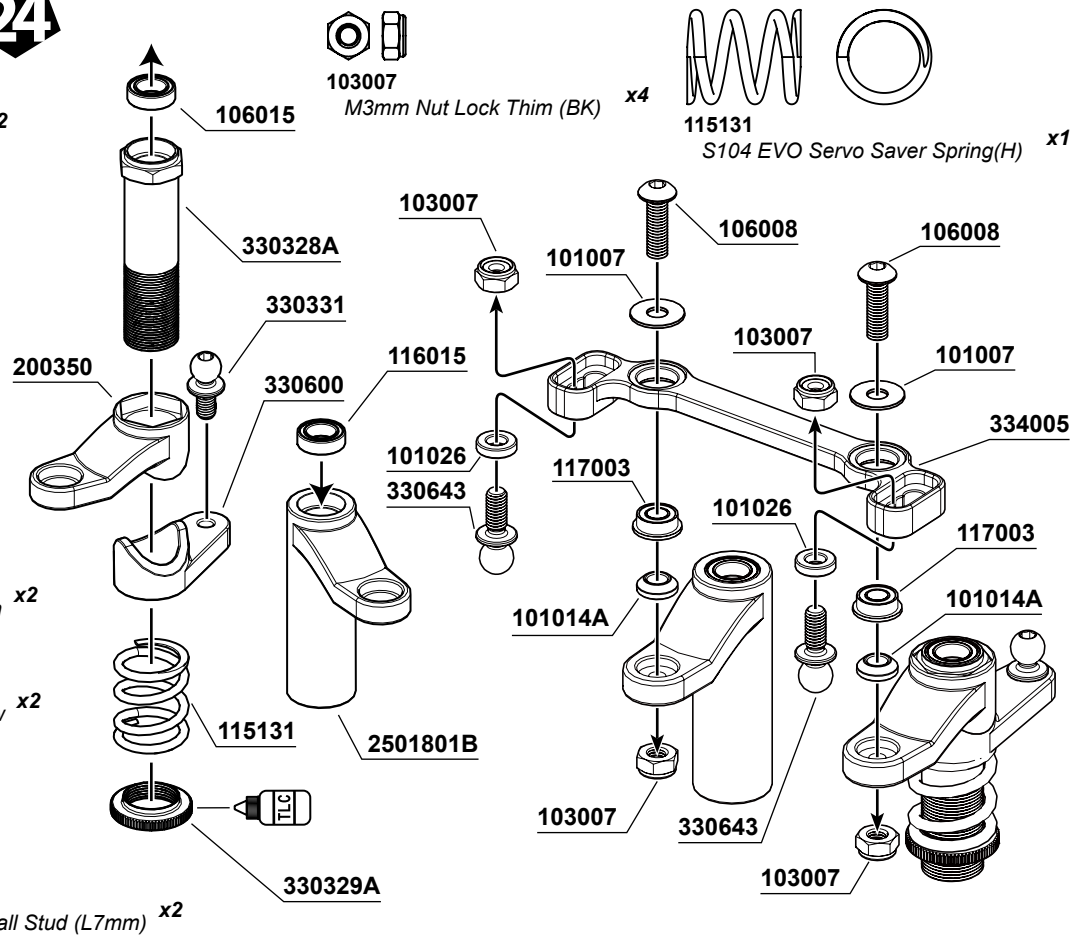
106001
M3x8mm Hex Socket OH/TP Screw **x2**






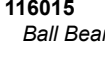
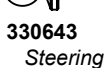
106008
M3x12mm Hex Soked OH/TP Screw **x2**

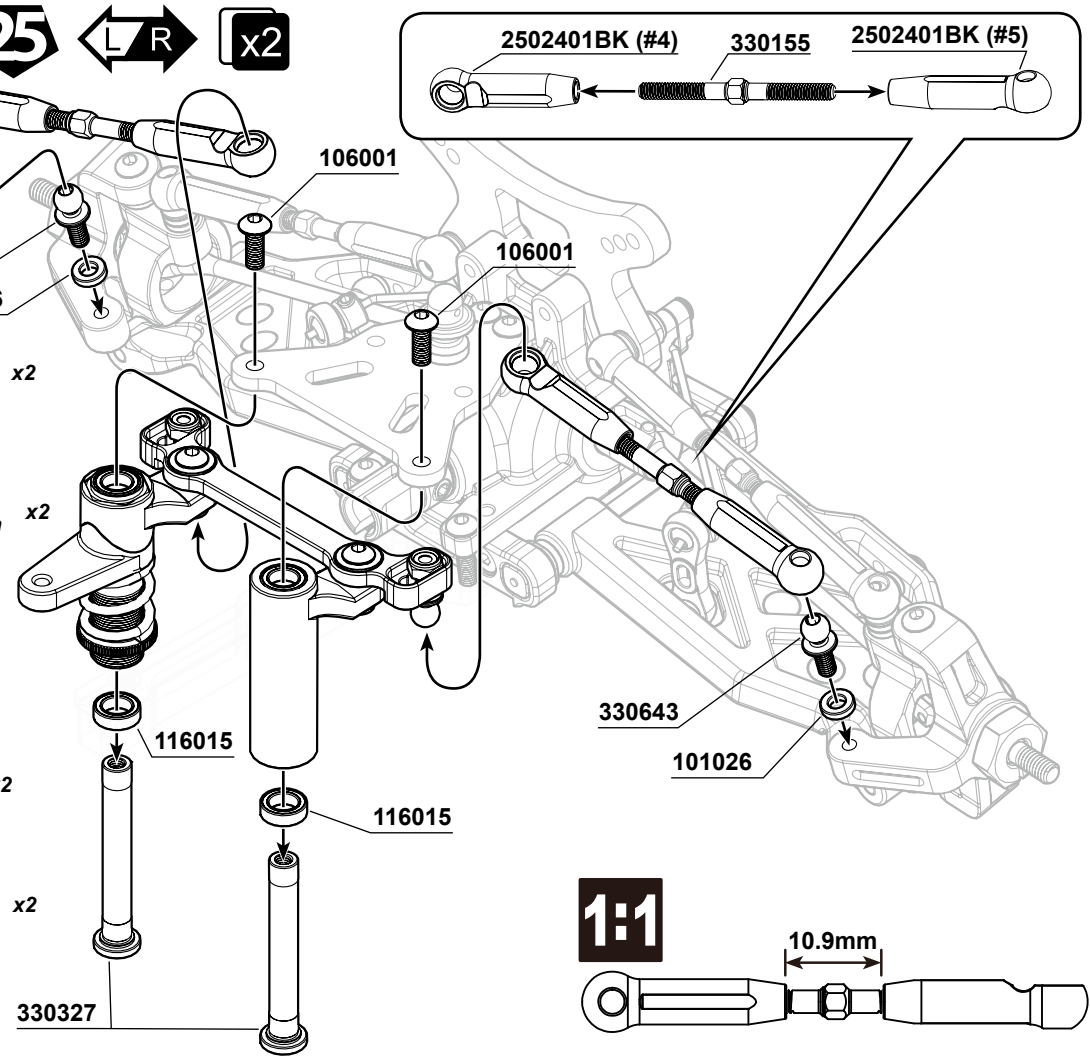


-  **117003**
Flange Ball Bearing 3x6x2.5mm x2
-  **116015**
Ball Bearing 5x8x2.5mm x2
-  **101007**
Washer 3x8x0.5mm x2
-  **101014A**
M3 Pivot Ball Bushing (GM) x2
-  **101026**
S102 Aluminum Washer 3X6X1.5mm x2
-  **106008**
M3x12mm Hex Somet OH/TP Screw x2
-  **330331**
Steering Linkage Ball Stud 5mm x1
-  **330643**
S104 EVO Steering Linkage 5mm Ball Stud (L7mm) x2



x2

-  **106001**
M3x8mm Hex Socket OH/TP Screw x2
-  **101026**
S102 Aluminum Washer 3X6X1.5mm x2
-  **116015**
Ball Bearing 5x8x2.5mm x2
-  **330643**
Steering Linkage Ball Stud 5mm x2
-  **330155**
Rear Upper Sus. Arm Turnbuckles x2

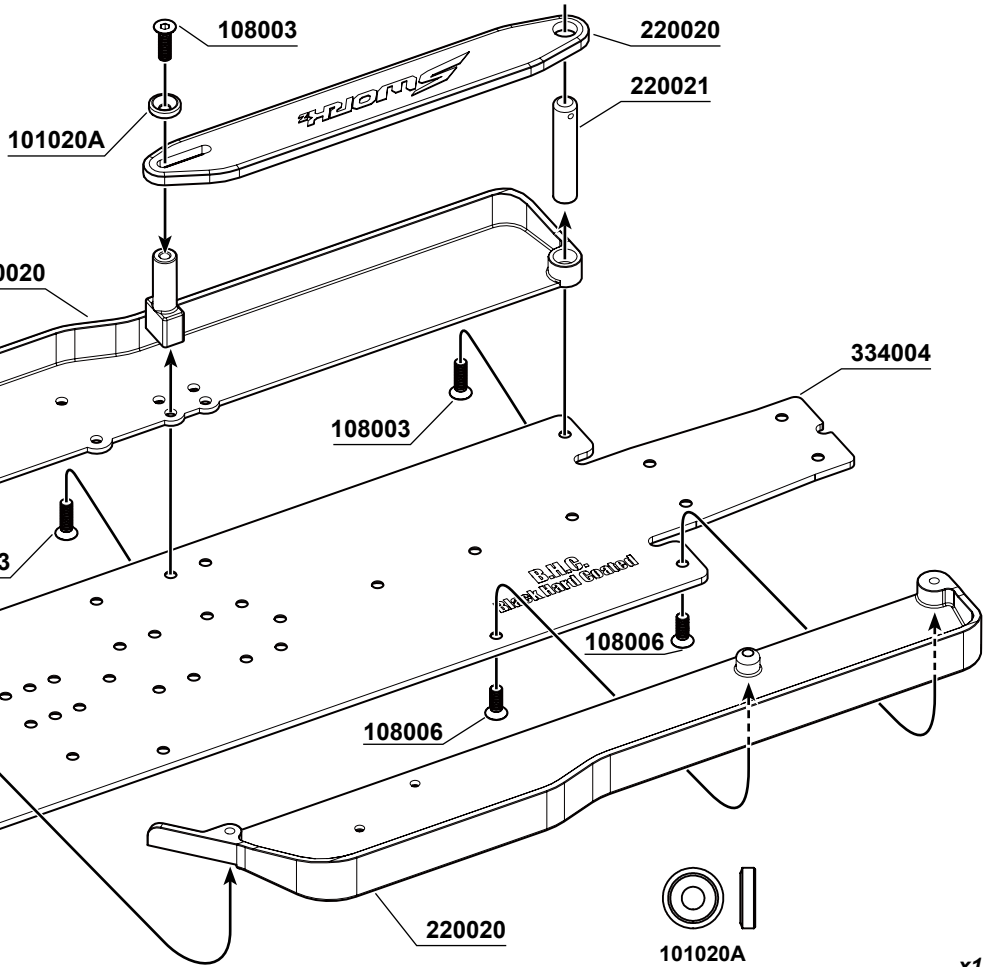




108003
M3x10mm FH/ST HEX Screw x3



108006
M3x8mm FH/ST HEX Screw x4



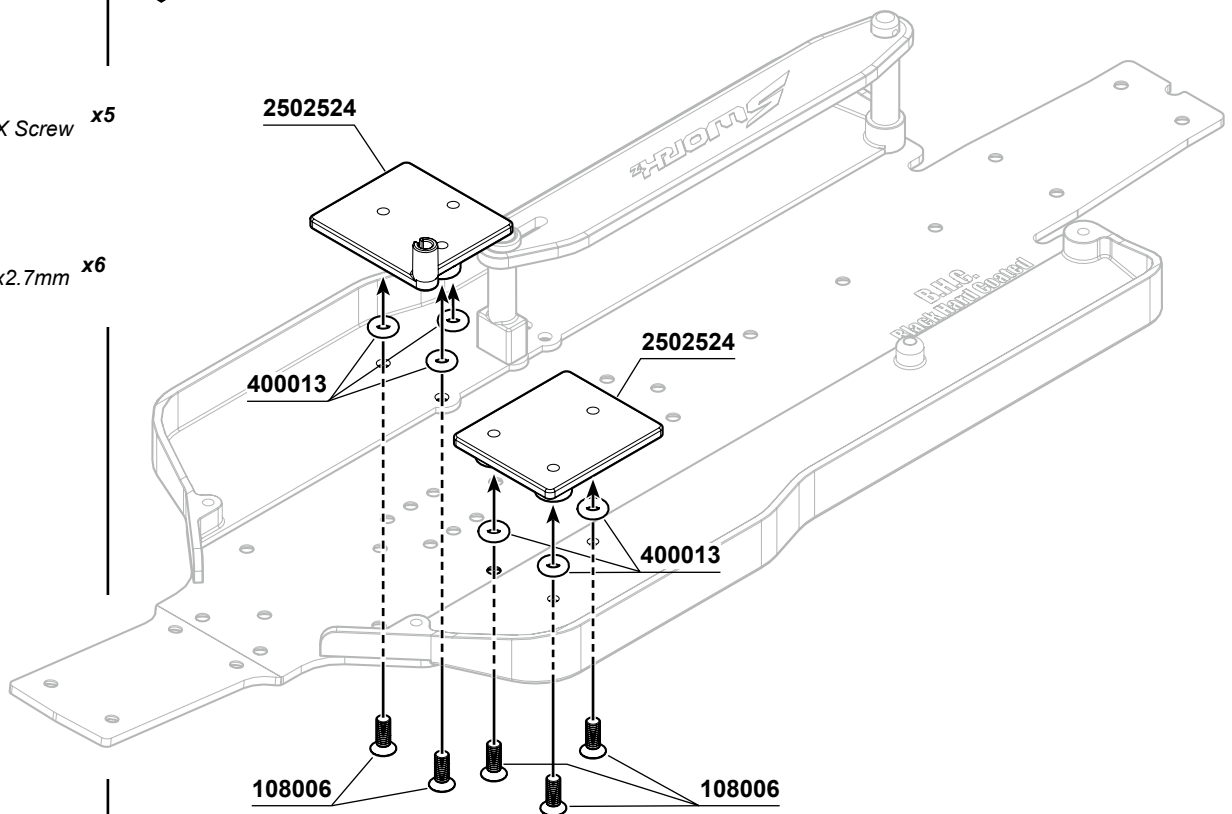
101020A
3mm Countersunk Washers x1



108006
M3x8mm FH/ST HEX Screw x5



400013
Shock Seal O-ring 2x2.7mm x6





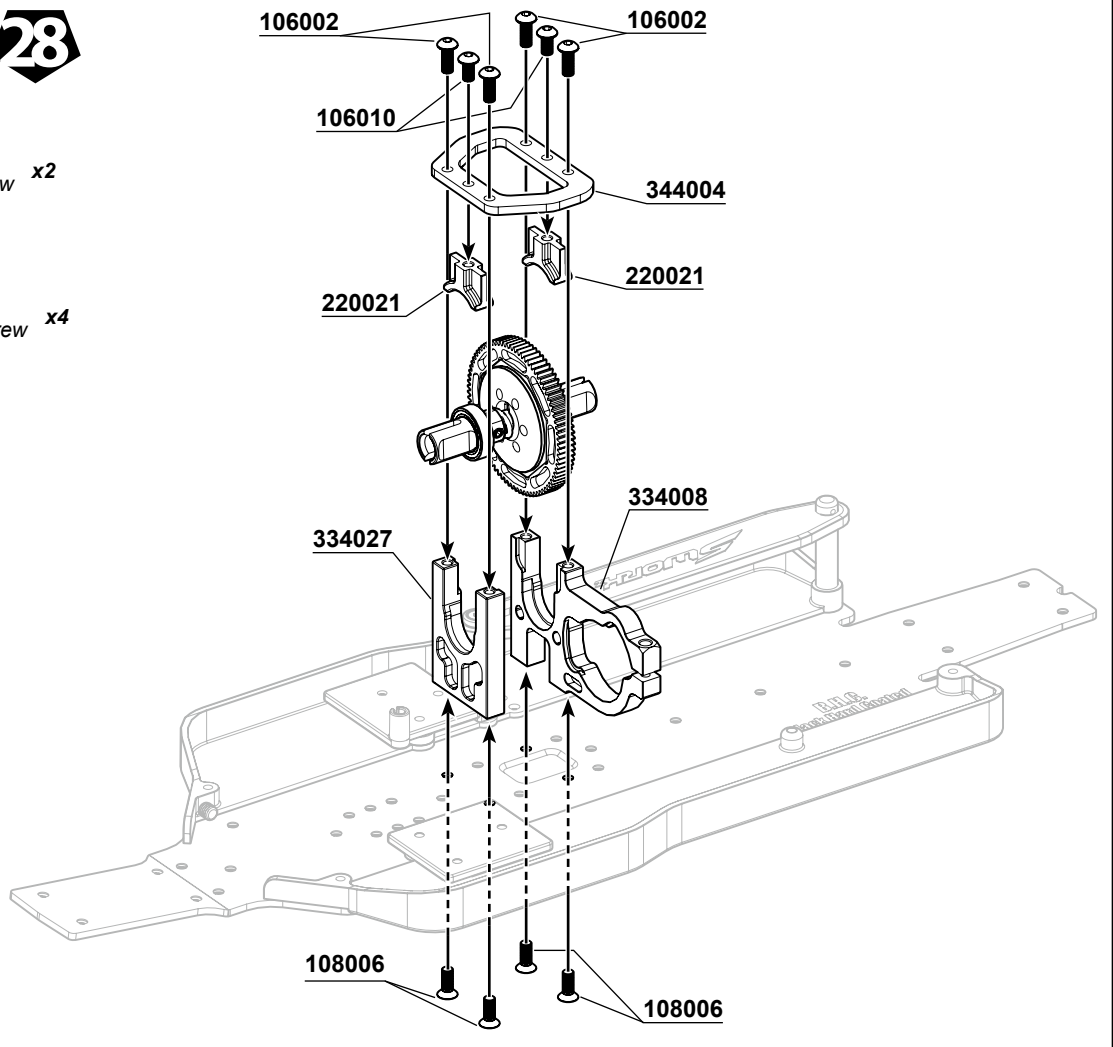
106010
M3x6mm Hex Socket OH/TP Screw x2



106002
M3x10mm Hex Socket OH/TP Screw x4



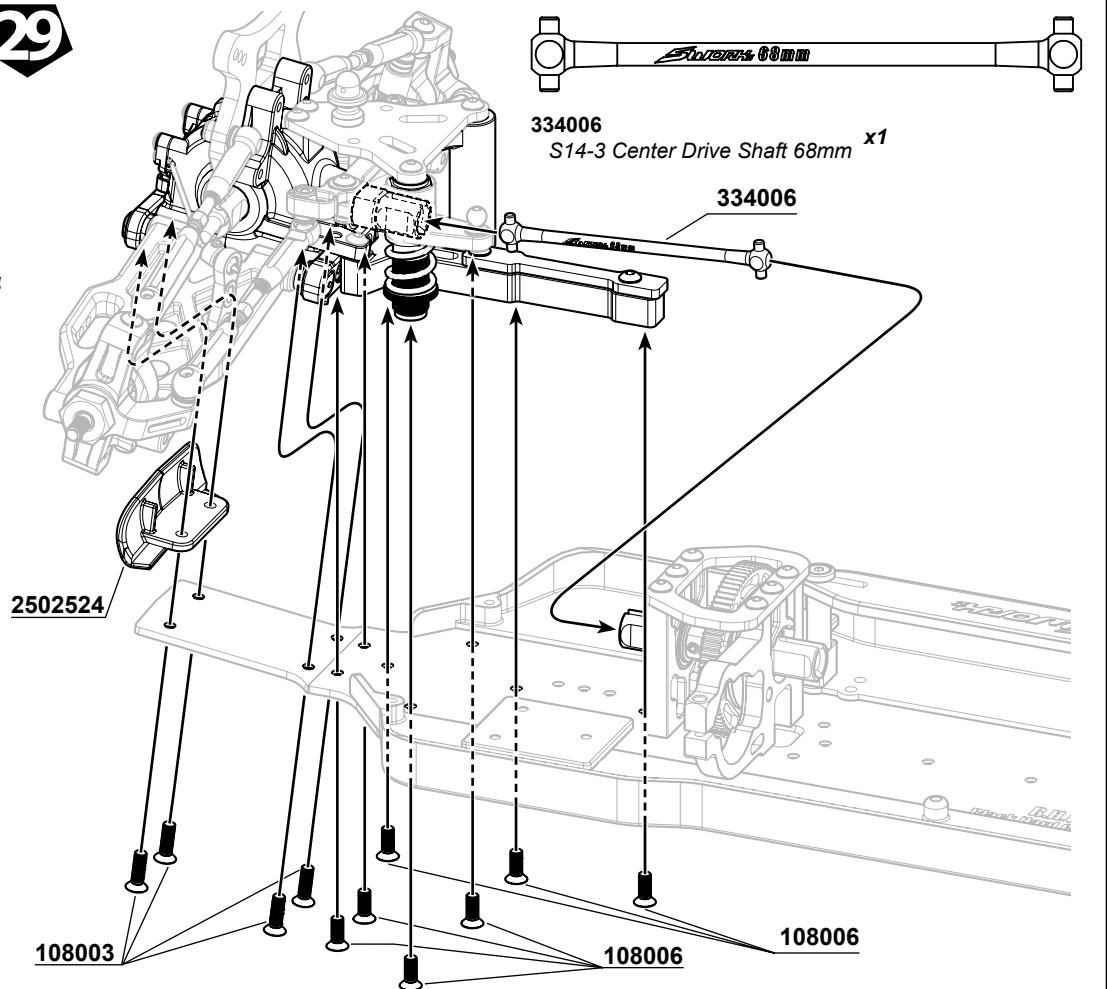
108006
M3x8mm FH/ST HEX Screw x4

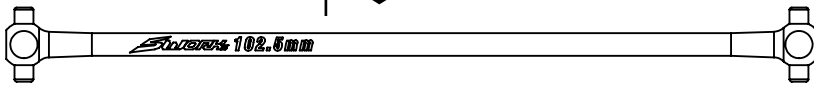
**29**

108006
M3x8mm FH/ST HEX Screw x7



108003
M3x10mm FH/ST HEX Screw x4





334007
S14-3 Center Drive Shaft 102.5mm **x1**



106001
M3x8mm Hex Socket OH/TP Screw **x3**



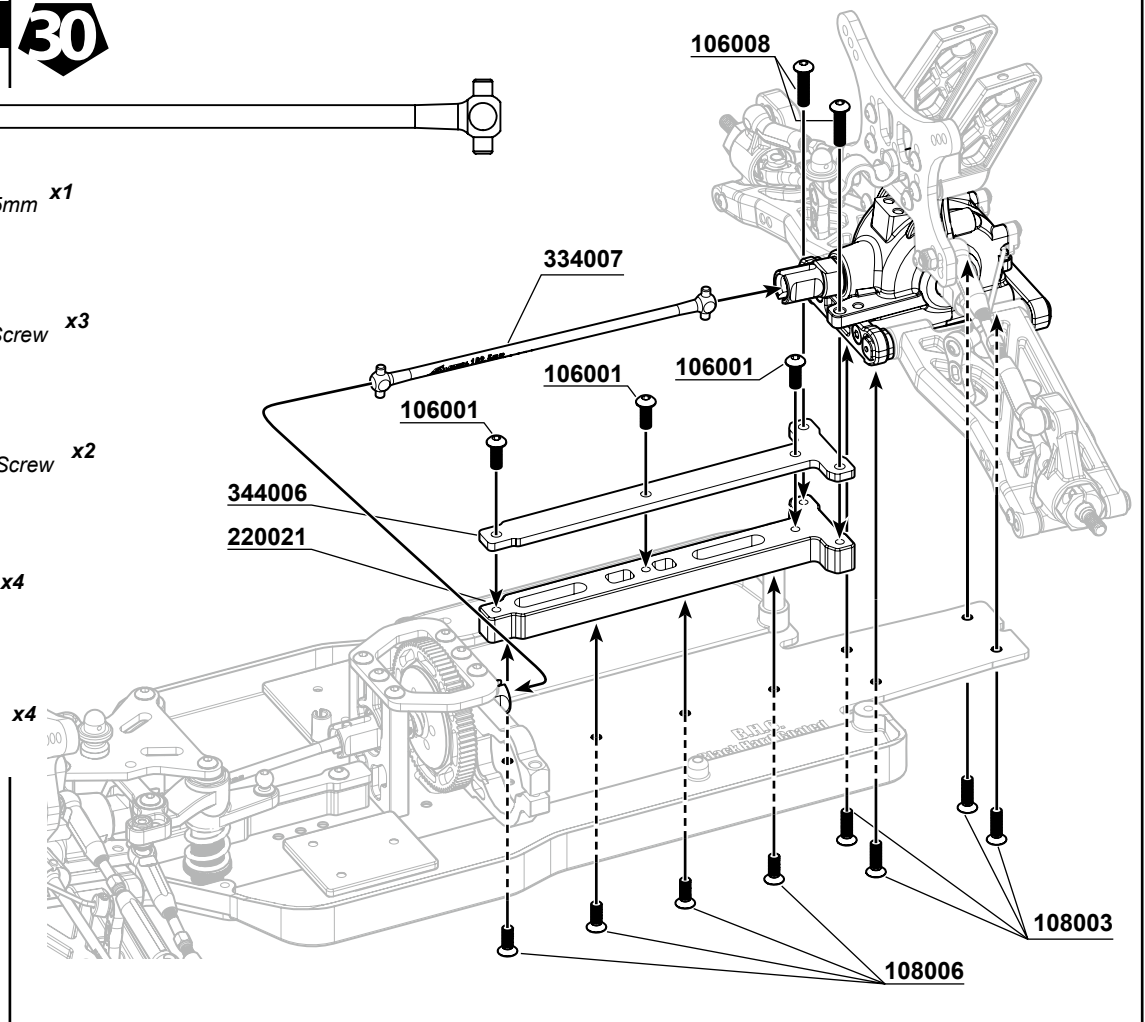
106008
M3x12mm Hex Scket OH/TP Screw **x2**



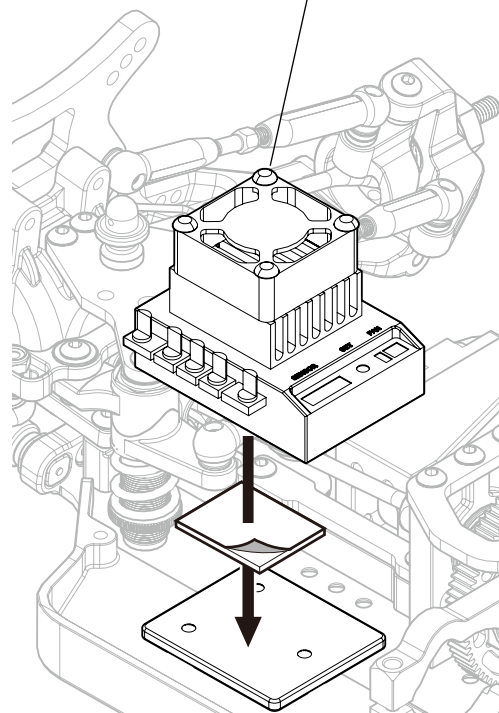
108006
M3x8mm FH/ST HEX Screw **x4**



108003
M3x10mm FH/ST HEX Screw **x4**

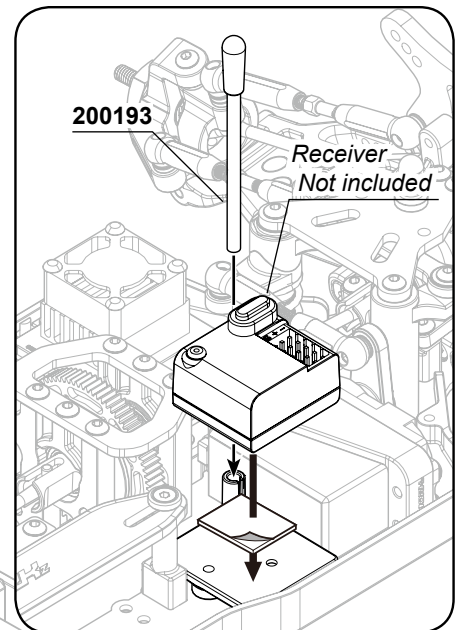


ESC Not included



200193

Receiver
Not included



BAG H

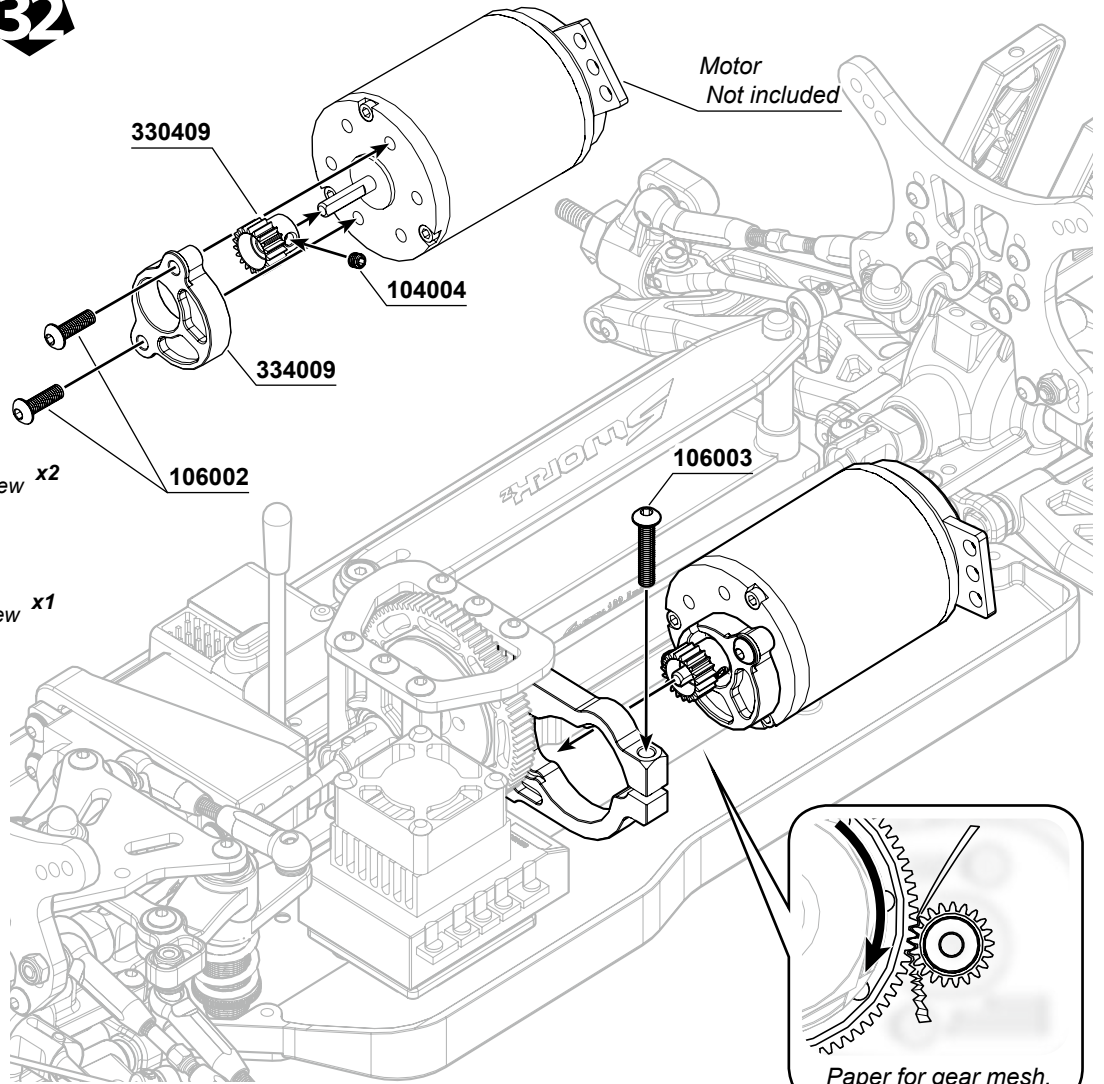
32

104004
M3x3mm Set Screw x1

106002
M3x10mm Hex Socket OH/TP Screw x2

106003
M3x16mm Hex Socket OH/TP Screw x1

330409
S104 Motor Gear 19T x1



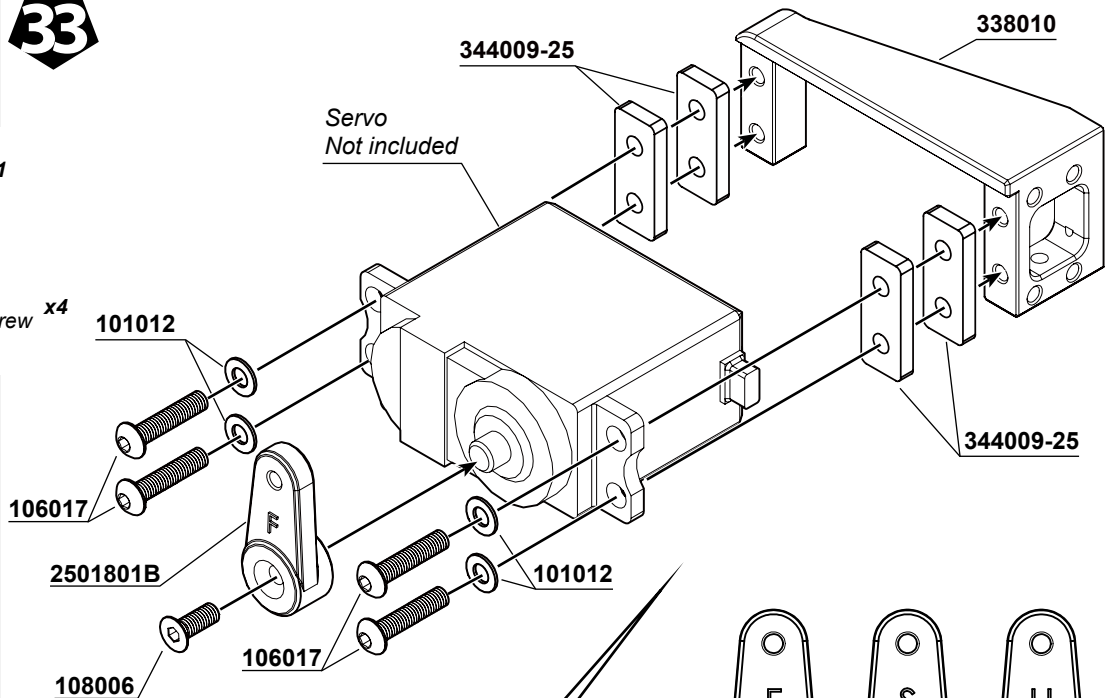
BAG I

33

108006
M3x8mm FH/ST HEX Screw x1

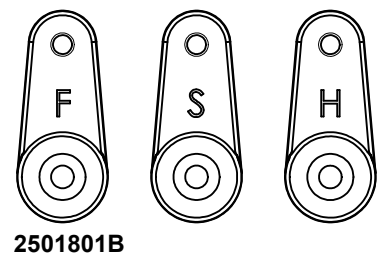
106017
M3x14mm Hex Scket OH/TP Screw x4

101012
Washer M3x6xT0.5mm x4



Assembly Note:
According to different brands servo, you can use different servo hold inserts and screws to adjust your servo position.

1:1





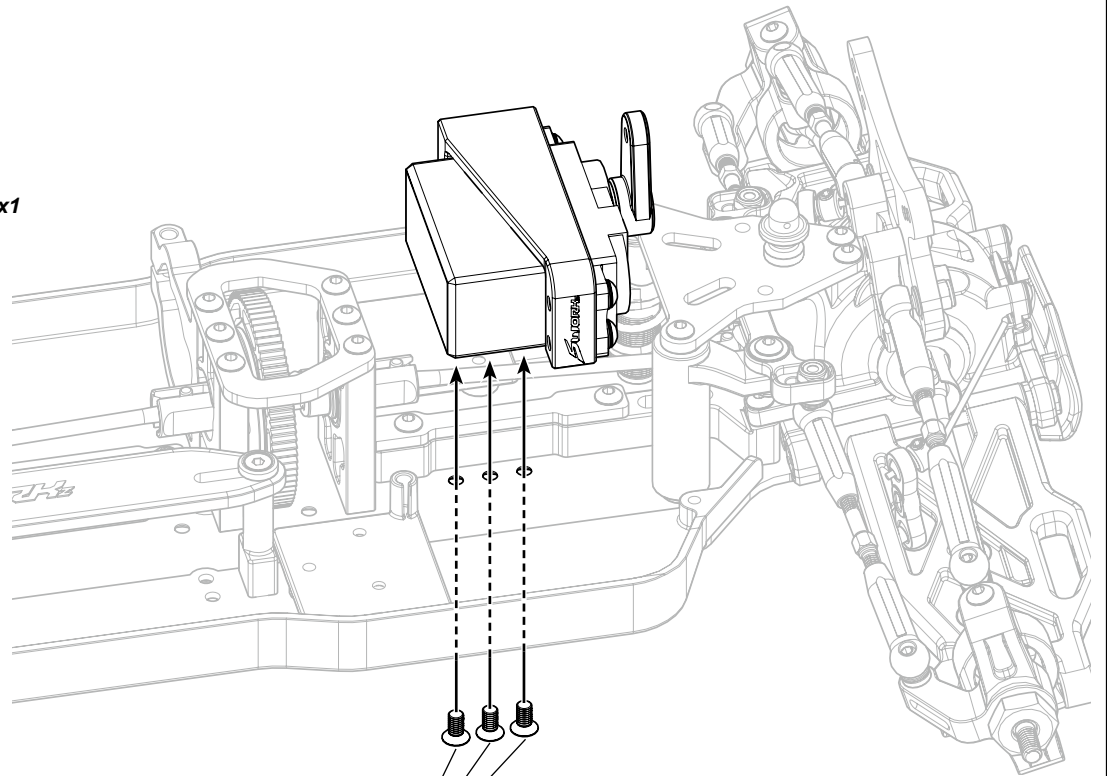
108007
M3x6mm FH/ST HEX Screw x3



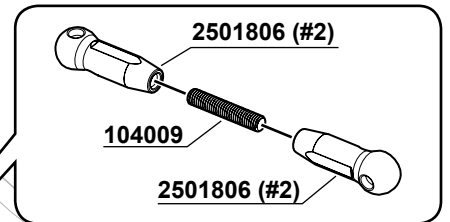
330331
Steering Linkage Ball Stud 5mm x1



104009
M3x16mm Set Screw x1



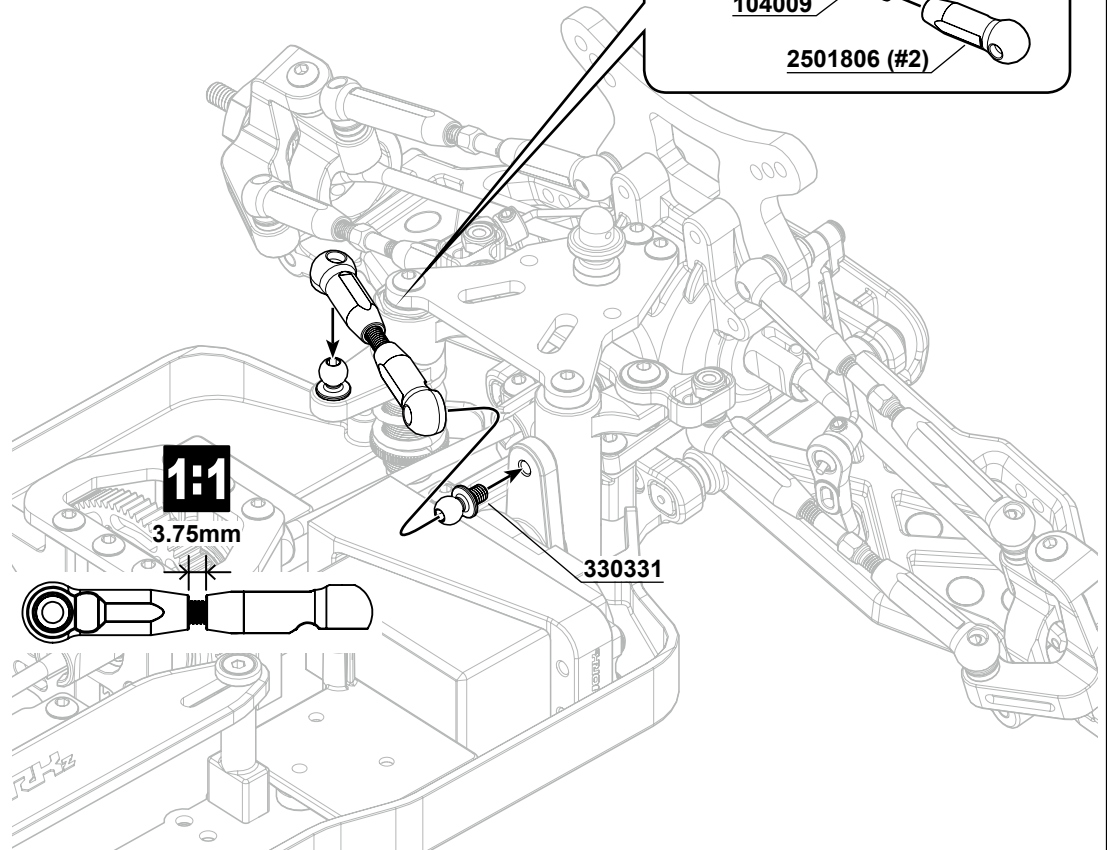
108007



2501806 (#2)

104009

2501806 (#2)



1:1

3.75mm

330331

BAG J

35

F **R**

x2 For Front

x2 For Rear

101011
Shock Washer 2.6x6x0.5mm x4

214003
Shock seal washer 3.0x6.5x2.0mm x8

214003
Shock Seal O-ring 2x2.7mm (M) x8

334018
Shock Shaft L x2

334019
Shock Shaft S x2

400014
O-Ring 1.5x13.5mm x4

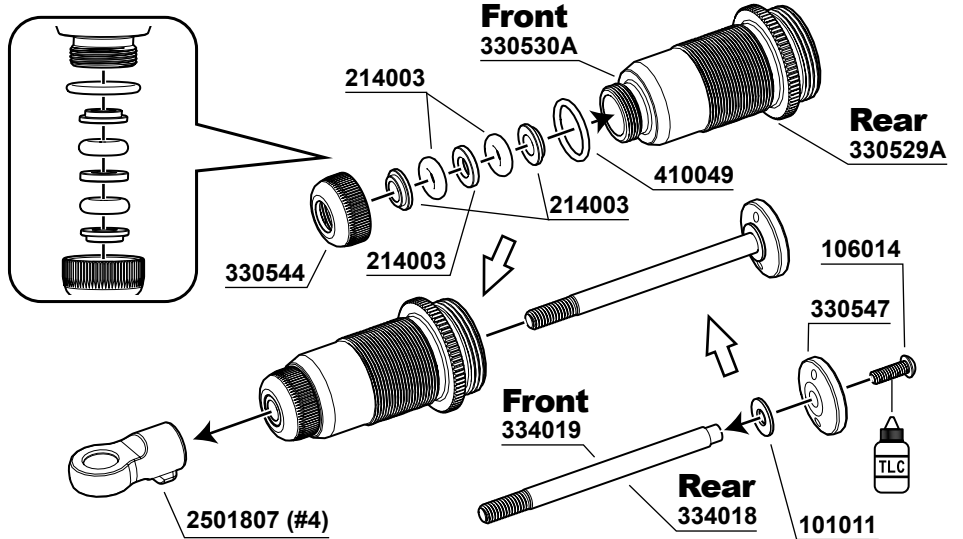
410049
Shock Seal Cap O-ring 8x10x1mm x4

410047
S102 Shock Cap O-Ring (SP) x4

330544
Aluminum Shock Seal Cover x4

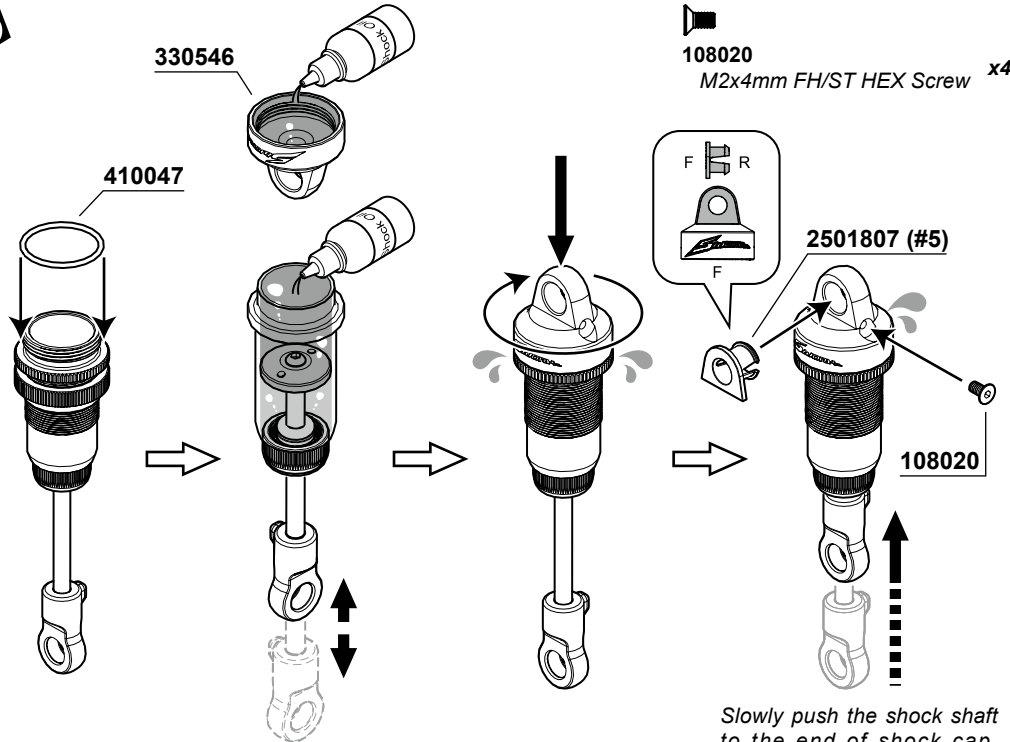
214003
Shock seal washer 3.0x6.5x0.7mm x4

106014
M2x6mm Hex Soker OH/TP Screw x4



36

108020
M2x4mm FH/ST HEX Screw x4



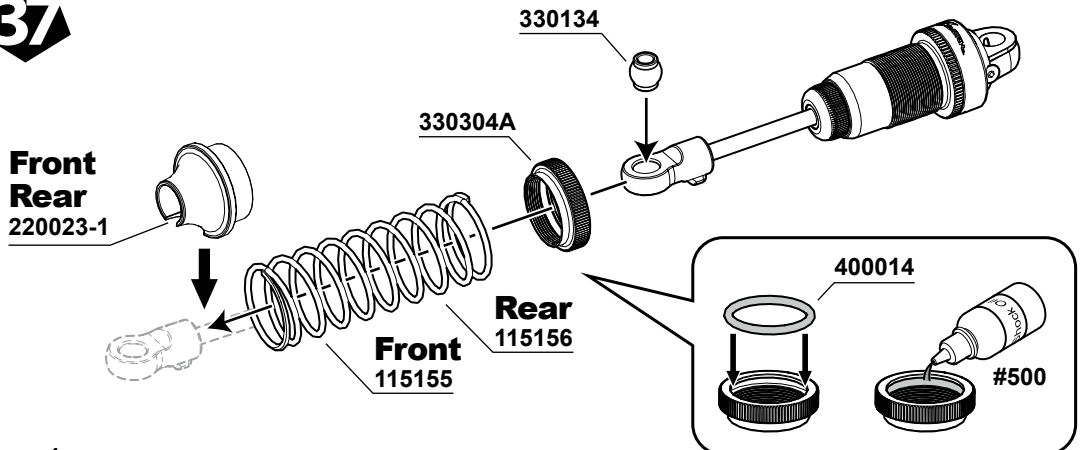
Slowly push the shock shaft to the end of shock cap. Then tight screw M2x4mm

37

330547
Shock Piston 1.5mmx2 holes x4

330134
Shock Ball Stud x4

330304A
Aluminum Shock Spring Adjust Nut x4





108001
M3x12mm FH/ST HEX Screw

x4



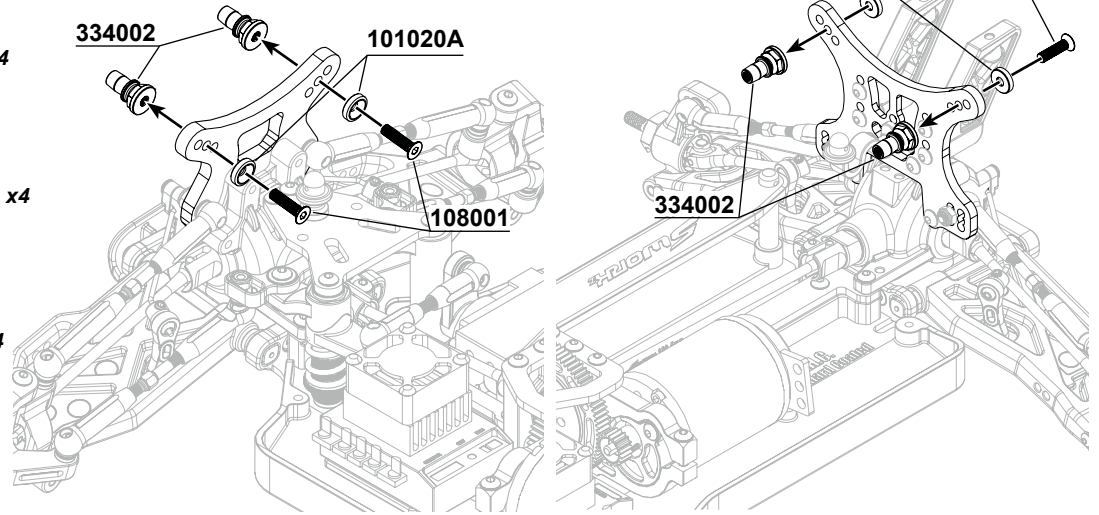
101020A
3mm Countersunk Washers (RD)

x4



334002
S14-3 Aluminum Shock Stud

x4



108006
M3x8mm FH/ST HEX Screw

x4



106005
M3x15mm Hex Scket OH/TP Screw

x2



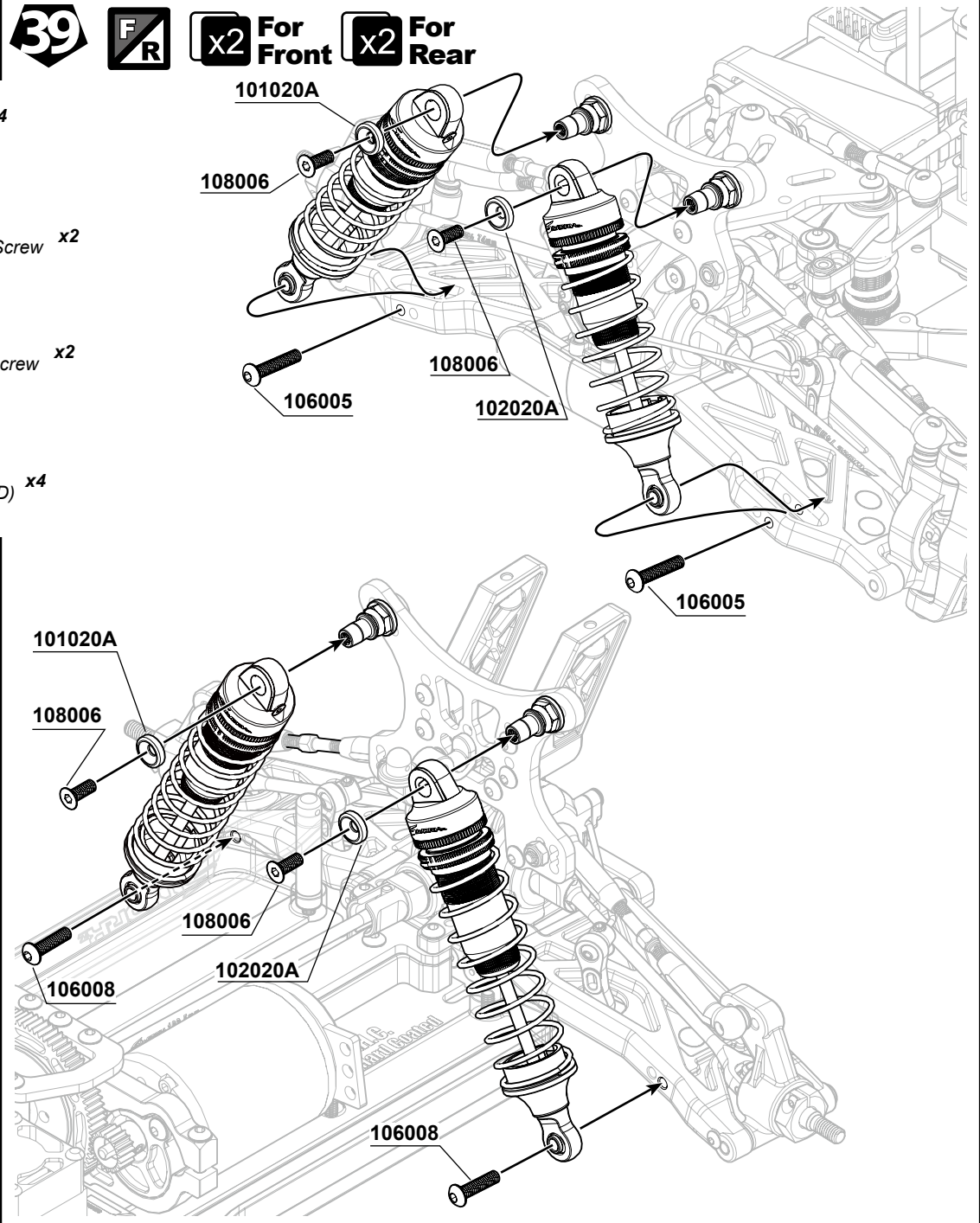
106008
M3x12mm Hex Scket OH/TP Screw

x2



101020A
3mm Countersunk Washers (RD)

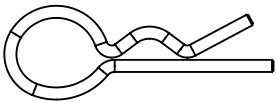
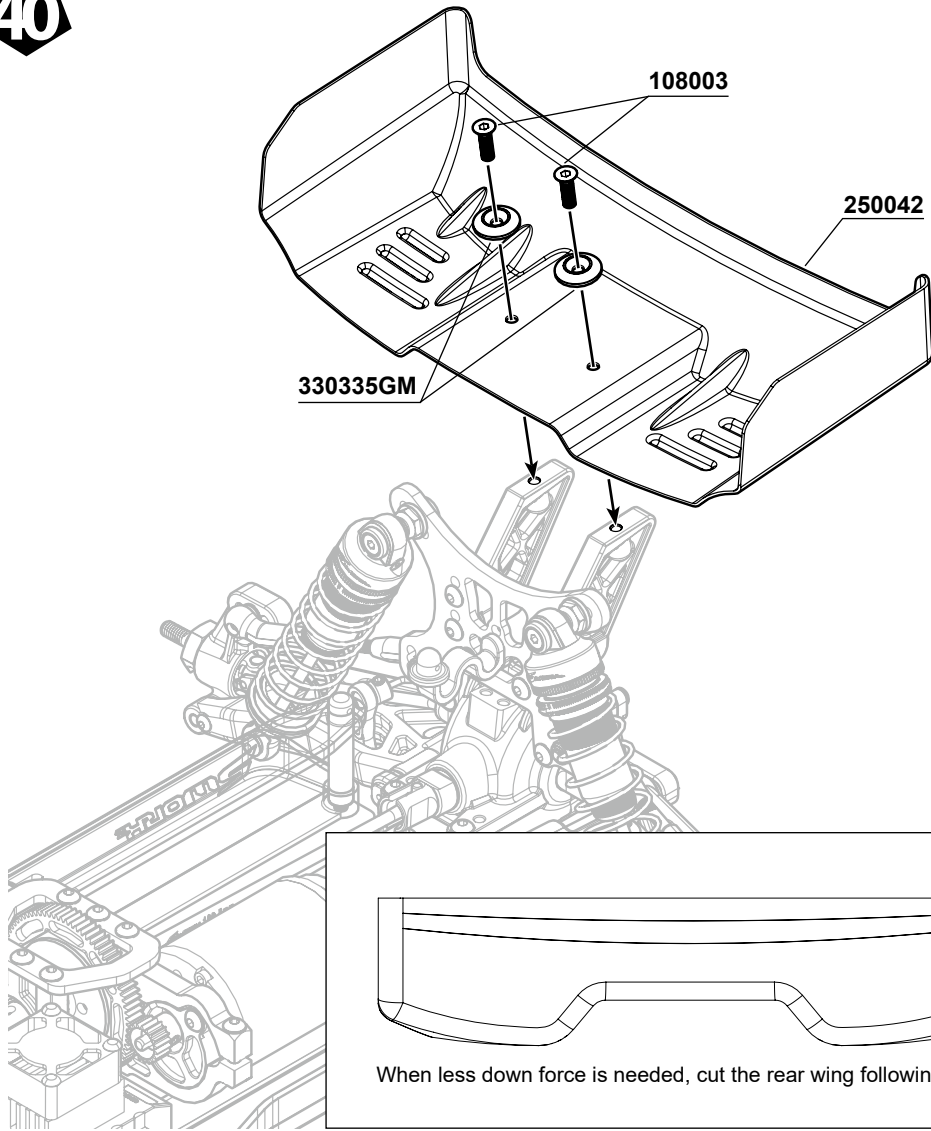
x4





108003
M3x10mm FH/ST HEX Screw

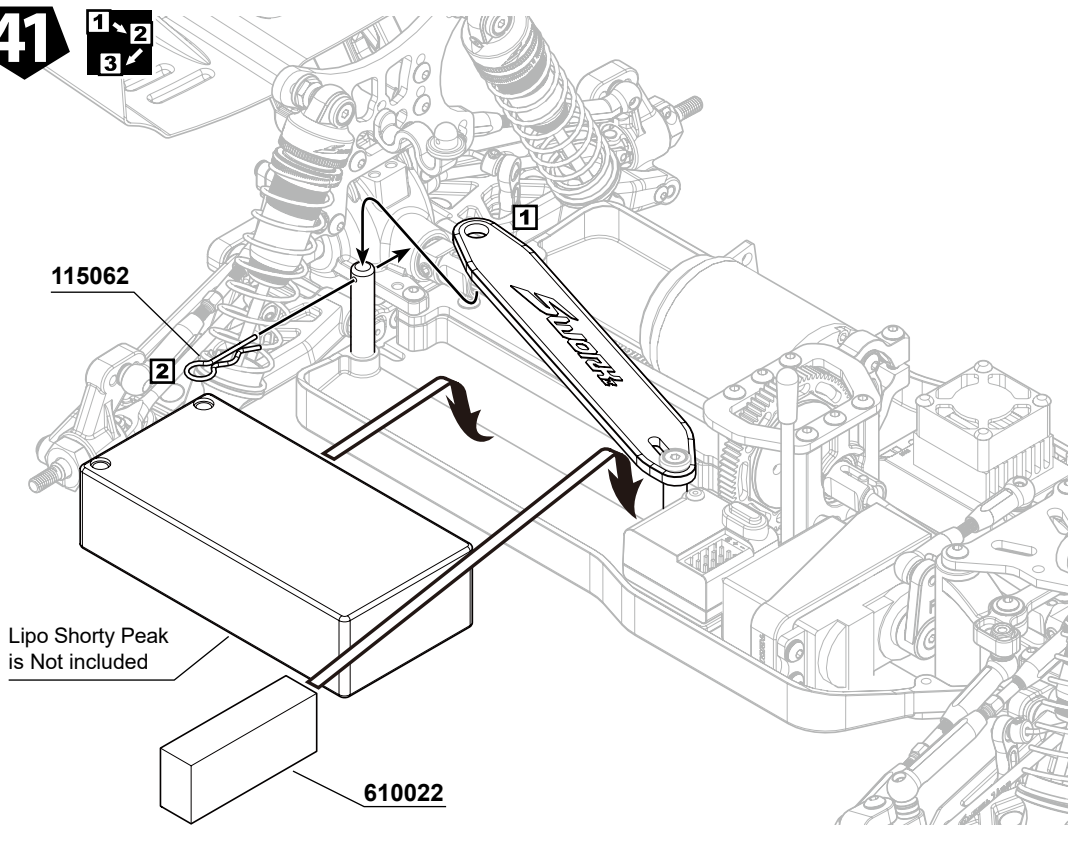
x2

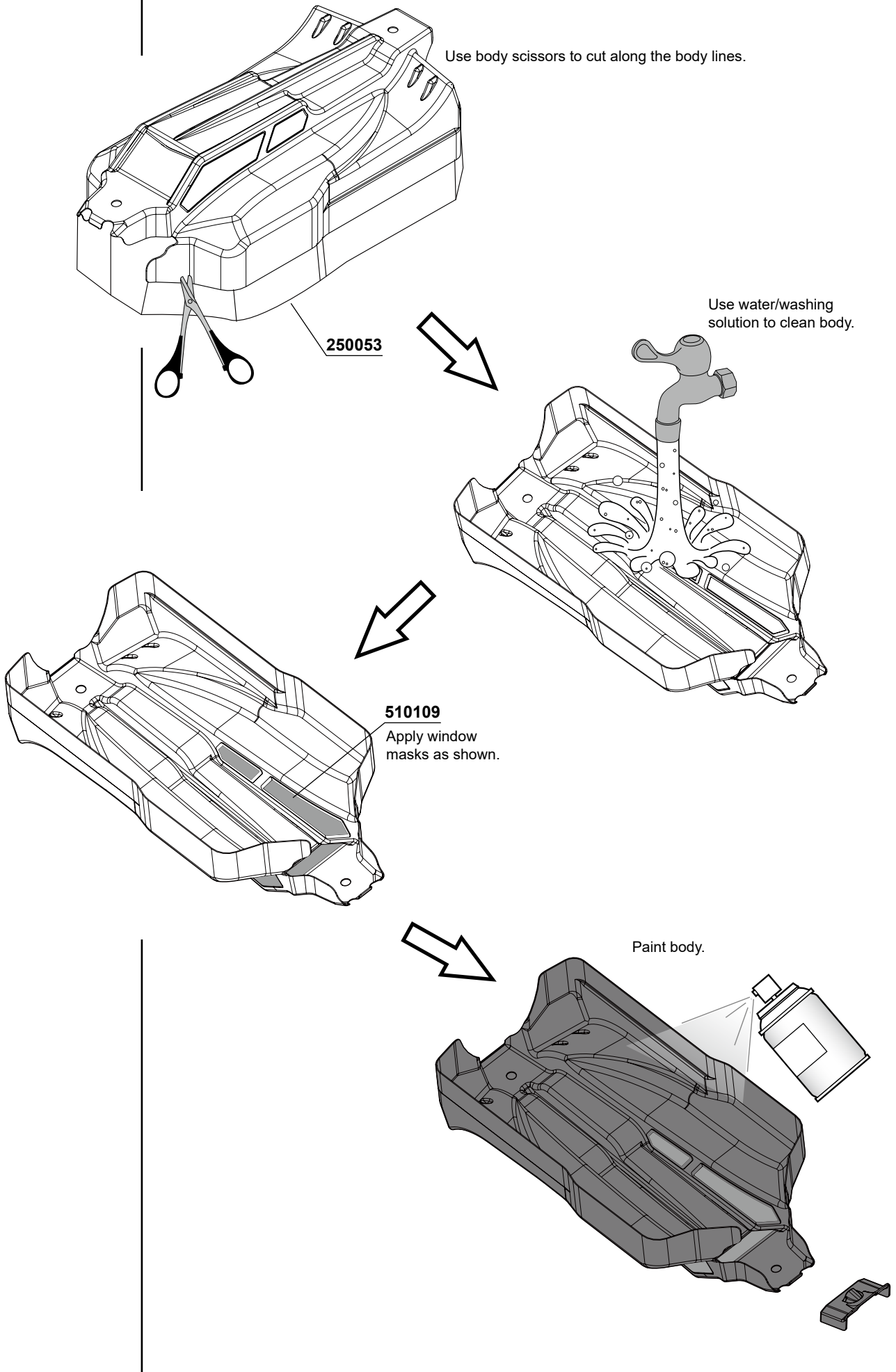


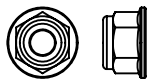
115062
1/10 Body Clip x1

41

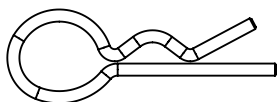
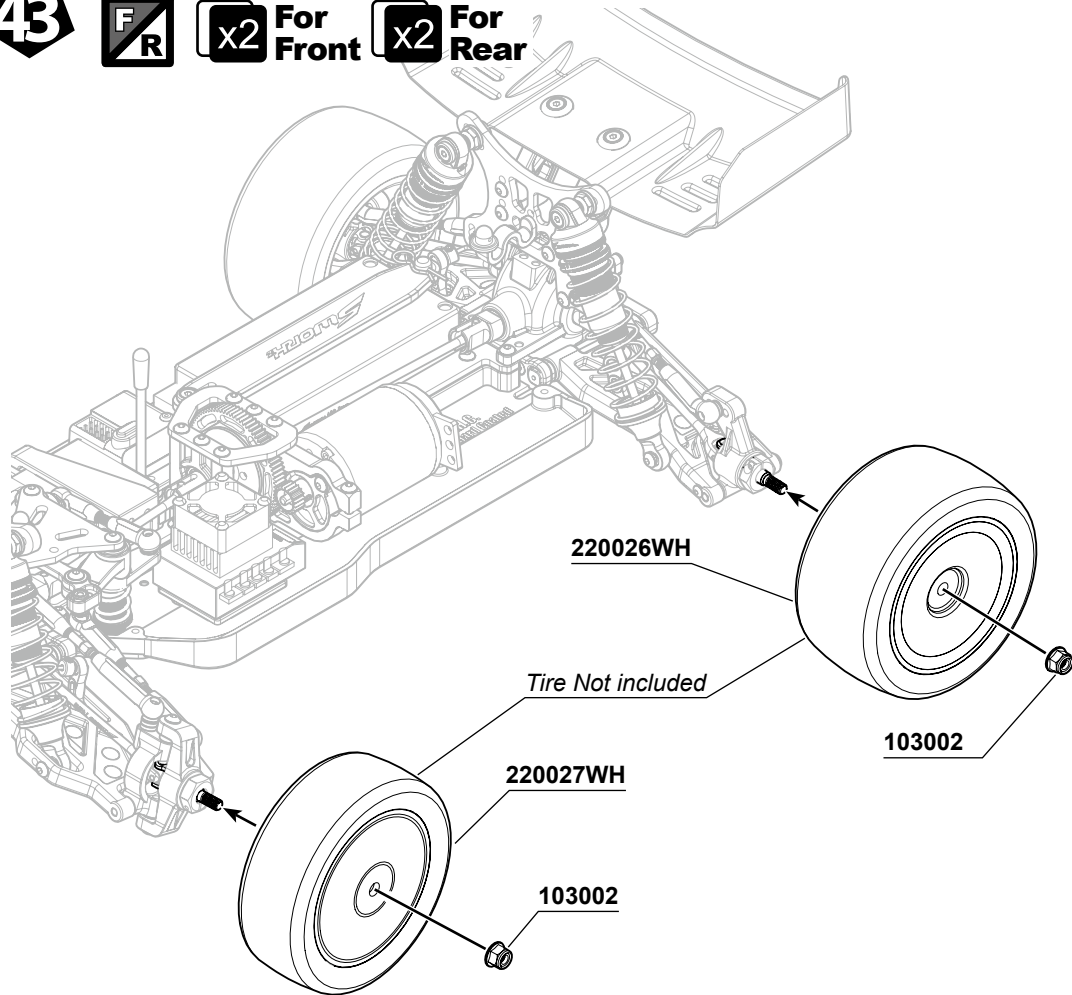
- 1
- 2
- 3







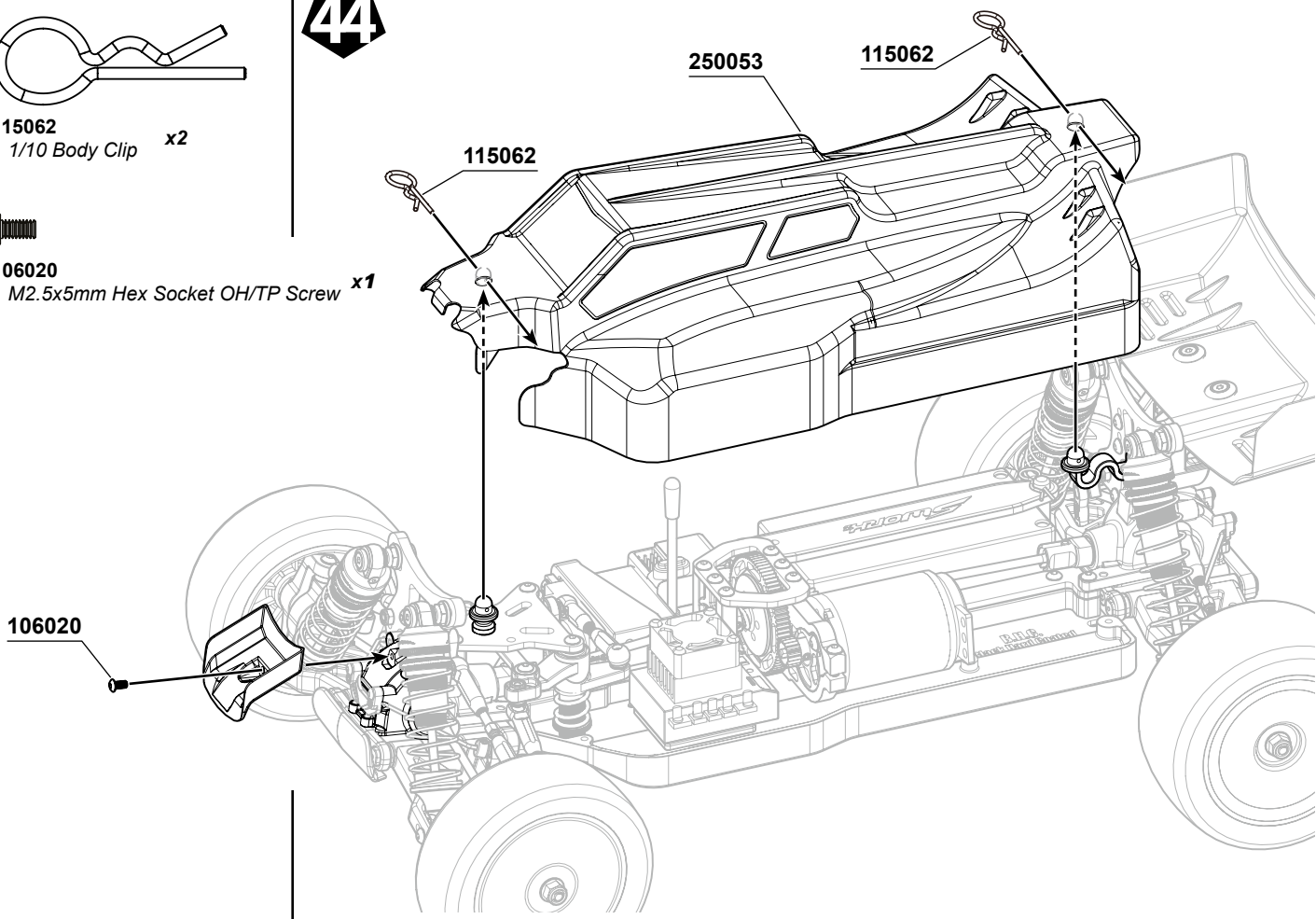
103002
Flange M4 Nut Lock **x4**



115062
1/10 Body Clip **x2**



106020
M2.5x5mm Hex Socket OH/TP Screw **x1**



Name: Micha Widmaier
 Date: 14-16.9.2018
 Track: EOS Nürburgring

Diff. Oil
 Front: #10000
 Center: Slipper clutch
 Rear: #7000

Track Conditions
 Size: Open Med. Tight
 Traction: High Med. Low
 Surface: Smooth Med. Bumpy

Tire
 Front Type: Schumacher Rear Type: Schumacher
 Foam: EOS Foam: EOS

Electric System
 ESC Type: Nosram HD
 Motor Type: Nosram M22 55T
 Motor Gear/Spur Gear: 19/81

Front Suspension

Front in-Board Toe

<input type="checkbox"/> ±0	<input type="checkbox"/> ±0
<input type="checkbox"/> ±0.5	<input type="checkbox"/> ±0.5
<input checked="" type="checkbox"/> ±1.0	<input type="checkbox"/> ±1.0
<input type="checkbox"/> ±0.5+1K-UP	<input type="checkbox"/> ±0.5+1K-UP
<input type="checkbox"/> ±1.0+1K-UP	<input checked="" type="checkbox"/> ±1.0+1K-UP

Oil: #800
 Spacer: 1 mm
 Pistons: 2x1.6
 Spring: KIT

86 mm

Body: KIT
 Wing: KIT

0 mm

Track width _____ mm
 Camber angle -2°
 Toe angle _____
 Rebound stop _____ mm
 Sway bar Use 1.8 mm
 None

Steering Ackerman

1
 2
 3

4.7mm
 5.7mm
 6.7mm
 7.7mm

R: 2 mm
 F: 0 mm

C-Hub 9
 11

Rear Suspension

Rear Toe-In

<input type="checkbox"/> ±0	<input type="checkbox"/> ±0
<input type="checkbox"/> ±0.5	<input type="checkbox"/> ±0.5
<input type="checkbox"/> ±1.0	<input type="checkbox"/> ±1.0
<input type="checkbox"/> ±0.5+1K-UP	<input type="checkbox"/> ±0.5+1K-UP
<input checked="" type="checkbox"/> ±1.0+1K-UP	<input checked="" type="checkbox"/> ±1.0+1K-UP

Camber angle -2°
 Rebound stop _____ mm

0 mm

Wheelbase F 0 mm
 adjustment R 2.5 mm

Sway bar Use 1.8 mm
 None

Notes: Graphite wishbones, side pads, front battery position.

Oil: #650
 Spacer: 1 mm
 Pistons: 2x1.7
 Spring: KIT

100 mm

A
 B
 A
 B

1
 2
 3

4
 5
 6

2
 1
 3

4.7mm
 5.7mm
 6.7mm
 7.7mm

F
 R
 Front

Option Parts List

<p>Front lower arm</p> <p><input checked="" type="checkbox"/> Pro-composite Hard Material <input type="checkbox"/> Standard Material</p>	<p>Rear lower arm</p> <p><input checked="" type="checkbox"/> Pro-composite Hard Material <input type="checkbox"/> Standard Material</p>	<p>Side guard</p> <p><input type="checkbox"/> Pro-composite Hard Material <input checked="" type="checkbox"/> Standard Material</p>	<p>T-bar</p> <p>Front: <input type="checkbox"/> Pro-composite Hard Material <input checked="" type="checkbox"/> Standard Material</p> <p>Rear: <input type="checkbox"/> Pro-composite Hard Material <input checked="" type="checkbox"/> Standard Material</p>
---	--	--	--

Race time / Lap: _____

Best lap: _____

Name: _____
 Date: _____
 Track: _____

Diff. Oil
 Front: _____
 Center: _____
 Rear: _____

Track Conditions
 Size: Open Med. Tight
 Traction: High Med. Low
 Surface: Smooth Med. Bumpy

Tire
 Front Type: _____ Rear Type: _____
 Foam: _____ Foam: _____

Electric System
 ESC Type: _____
 Motor Type: _____
 Motor Gear/Spur Gear: _____

Front Suspension

1
2
3

1
2

2
1

Camber angle

Front in-Board Toe			
<input type="checkbox"/> ±0	<input type="checkbox"/> ±0	<input type="checkbox"/> ±0	<input type="checkbox"/> ±0
<input type="checkbox"/> ±0.5	<input type="checkbox"/> ±0.5	<input type="checkbox"/> ±0.5	<input type="checkbox"/> ±0.5
<input type="checkbox"/> ±1.0	<input type="checkbox"/> ±1.0	<input type="checkbox"/> ±1.0	<input type="checkbox"/> ±1.0
<input type="checkbox"/> ±0.5+1K-UP	<input type="checkbox"/> ±0.5+1K-UP	<input type="checkbox"/> ±0.5+1K-UP	<input type="checkbox"/> ±0.5+1K-UP
<input type="checkbox"/> ±1.0+1K-UP	<input type="checkbox"/> ±1.0+1K-UP	<input type="checkbox"/> ±1.0+1K-UP	<input type="checkbox"/> ±1.0+1K-UP

C-Hub 9 11

4.7mm
5.7mm
6.7mm
7.7mm

R: _____ mm
 F: _____ mm

Oil: _____
 Spacer: _____ mm
 Pistons: _____
 Spring: _____

Body: _____ mm
 Wing: _____ mm

Steering Ackerman

1
2
3

Track width _____ mm
 Camber angle _____
 Toe angle _____
 Rebound stop _____ mm
 Sway bar Use _____ mm
None

Rear Suspension

A
B
A
B

1
2
3

1
2
3

4
5
6

Camber angle

Rear Toe-In			
<input type="checkbox"/> ±0	<input type="checkbox"/> ±0	<input type="checkbox"/> ±0	<input type="checkbox"/> ±0
<input type="checkbox"/> ±0.5	<input type="checkbox"/> ±0.5	<input type="checkbox"/> ±0.5	<input type="checkbox"/> ±0.5
<input type="checkbox"/> ±1.0	<input type="checkbox"/> ±1.0	<input type="checkbox"/> ±1.0	<input type="checkbox"/> ±1.0
<input type="checkbox"/> ±0.5+1K-UP	<input type="checkbox"/> ±0.5+1K-UP	<input type="checkbox"/> ±0.5+1K-UP	<input type="checkbox"/> ±0.5+1K-UP
<input type="checkbox"/> ±1.0+1K-UP	<input type="checkbox"/> ±1.0+1K-UP	<input type="checkbox"/> ±1.0+1K-UP	<input type="checkbox"/> ±1.0+1K-UP

4.7mm
5.7mm
6.7mm
7.7mm

Camber angle _____
 Rebound stop _____ mm

Notes: _____

Wheelbase F _____ mm
 adjustment R _____ mm

Sway bar Use _____ mm
None

Oil: _____
 Spacer: _____ mm
 Pistons: _____
 Spring: _____

Option Parts List

<p>Front lower arm</p> <p><input type="checkbox"/> Pro-composite Hard Material <input type="checkbox"/> Standard Material</p>	<p>Rear lower arm</p> <p><input type="checkbox"/> Pro-composite Hard Material <input type="checkbox"/> Standard Material</p>	<p>Side guard</p> <p><input type="checkbox"/> Pro-composite Hard Material <input type="checkbox"/> Standard Material</p>	<p>T-bar</p> <p>Front <input type="checkbox"/> Pro-composite Hard Material <input type="checkbox"/> Standard Material</p> <p>Rear <input type="checkbox"/> Pro-composite Hard Material <input type="checkbox"/> Standard Material</p>
--	---	---	--

Race time / Lap: _____

Best lap: _____

Name: _____
 Date: _____
 Track: _____

Diff. Oil
 Front: _____
 Center: _____
 Rear: _____

Track Conditions
 Size: Open Med. Tight
 Traction: High Med. Low
 Surface: Smooth Med. Bumpy

Tire
 Front Type: _____ Rear Type: _____
 Foam: _____ Foam: _____

Electric System
 ESC Type: _____
 Motor Type: _____
 Motor Gear/Spur Gear: _____

Front Suspension

1
2
3

1
2

2
1

Camber angle

Front in-Board Toe			
<input type="checkbox"/> ±0	<input type="checkbox"/> ±0	<input type="checkbox"/> ±0	<input type="checkbox"/> ±0
<input type="checkbox"/> ±0.5	<input type="checkbox"/> ±0.5	<input type="checkbox"/> ±0.5	<input type="checkbox"/> ±0.5
<input type="checkbox"/> ±1.0	<input type="checkbox"/> ±1.0	<input type="checkbox"/> ±1.0	<input type="checkbox"/> ±1.0
<input type="checkbox"/> ±0.5+1K-UP	<input type="checkbox"/> ±0.5+1K-UP	<input type="checkbox"/> ±0.5+1K-UP	<input type="checkbox"/> ±0.5+1K-UP
<input type="checkbox"/> ±1.0+1K-UP	<input type="checkbox"/> ±1.0+1K-UP	<input type="checkbox"/> ±1.0+1K-UP	<input type="checkbox"/> ±1.0+1K-UP

C-Hub 9 11

4.7mm
5.7mm
6.7mm
7.7mm

R: _____ mm
 F: _____ mm

Oil: _____
 Spacer: _____ mm
 Pistons: _____
 Spring: _____

Body: _____ mm
 Wing: _____ mm

Steering Ackerman

1
2
3

Track width _____ mm
 Camber angle _____
 Toe angle _____
 Rebound stop _____ mm
 Sway bar Use _____ mm
None

Rear Suspension

A
B
A
B

1
2
3

4
5
6

2
1
3

Camber angle

Rear Toe-In			
<input type="checkbox"/> ±0	<input type="checkbox"/> ±0	<input type="checkbox"/> ±0	<input type="checkbox"/> ±0
<input type="checkbox"/> ±0.5	<input type="checkbox"/> ±0.5	<input type="checkbox"/> ±0.5	<input type="checkbox"/> ±0.5
<input type="checkbox"/> ±1.0	<input type="checkbox"/> ±1.0	<input type="checkbox"/> ±1.0	<input type="checkbox"/> ±1.0
<input type="checkbox"/> ±0.5+1K-UP	<input type="checkbox"/> ±0.5+1K-UP	<input type="checkbox"/> ±0.5+1K-UP	<input type="checkbox"/> ±0.5+1K-UP
<input type="checkbox"/> ±1.0+1K-UP	<input type="checkbox"/> ±1.0+1K-UP	<input type="checkbox"/> ±1.0+1K-UP	<input type="checkbox"/> ±1.0+1K-UP

F
R

Front

4.7mm
 5.7mm
 6.7mm
 7.7mm

Camber angle _____
 Rebound stop _____ mm

Notes: _____

Wheelbase F _____ mm
 adjustment R _____ mm

Sway bar Use _____ mm
None

Oil: _____
 Spacer: _____ mm
 Pistons: _____
 Spring: _____

Option Parts List

<p>Front lower arm</p> <p><input type="checkbox"/> Pro-composite Hard Material <input type="checkbox"/> Standard Material</p>	<p>Rear lower arm</p> <p><input type="checkbox"/> Pro-composite Hard Material <input type="checkbox"/> Standard Material</p>	<p>Side guard</p> <p><input type="checkbox"/> Pro-composite Hard Material <input type="checkbox"/> Standard Material</p>	<p>T-bar</p> <p>Front <input type="checkbox"/> Pro-composite Hard Material <input type="checkbox"/> Standard Material</p> <p>Rear <input type="checkbox"/> Pro-composite Hard Material <input type="checkbox"/> Standard Material</p>
--	---	---	--

Parts No. List

Part No.	Part Name	Q`ty in Use	Item No.	Part No.	Part Name	Q`ty in Use	Item No.
200193	Antenna Tube	1	SW-200193	330284	S104 Crown Gear 42T	2	SW-330284
210036	S104 Diff. Case	2	SW-210036	330293	S104 Rear Hub Carrier Hing pin	2	SW-330293
220019	S14-3 Gear Box Rear	2	SW-220019	330304A	S104 Aluminum Shock Spring Adjust Nut (BK)	4	SW-330304A
	S14-3 Gear Box Front			330315	Sway Bar Linkage Ball Stud	4	SW-330315
	S14-3 S-way Bar Holder			330327	S104 Servo Saver Shaft	2	SW-330327
220026WH	SWORKz 1/10 2/4WD Off Road Competition Rear Dish Wheel (WH)	2	SW-220026	330328A	S104 Servo Saver Post(HC)	1	SW-330328A
220027WH	SWORKz 1/10 4WD Off Road Competition Front Dish Wheel (WH)	2	SW-220027	330329A	S104 Servo Saver Nut (GM)	1	SW-330329A
2501798A	S104 Rear Wing Stay	2	SW-2501798A	330331	S104 Steering Linkage 5mm Ball Stud (L4.1mm)	2	SW-330331
2501808	S104 Rear Hub Carrier Insert	2	SW-2501808	330335GM	S14/S12 series Aluminum Rear Wing Washer (GM)	2	SW-330335GM
200341	S104 Sway Bar Linkage	4	SW-200341	330409	S104 Motor Gear 19T	1	SW-330409
2501801B	S104 Settring Bellcrank A Upper	1	SW-2501801B	330529A	S14/12 Long Shock System Shock Body (L)	2	SW-330529A
	S104 Settring Bellcrank B Lower			330530A	S14 /12 Long Shock System Shock Body (S)	2	SW-330530A
	S104 Settring Bellcrank Left			330544	S102 Shoick Seal Cover (SP)	4	SW-330544
	S104 Steering Servo Mount			330546	S102 Shock Cap (SP)	4	SW-330546
	S104 Steering Servo Horn (For Futaba)			330547	S104EVO/S102 Shock Piston(1.5mmX2 Holes)	4	SW-330547
	S104 Steering Servo Horn (For Sanwa & KO)			330589	S104 EVO Center Slipper Clutch Pad Inside	1	SW-330589
	S104 Steering Servo Horn (For Hitec)			330591	S104 EVO Center Slipper Clutch Spring Nut	1	SW-330591
	S104 Front Body Mount			330592	S104 EVO Center Slipper Clutch Outdrive	1	SW-330592
	S104 Rear Body Mount			330600	S104 EVO Aluminum Steering Bellcrank A Upper	1	SW-330600
2501806B	S104 Ball End 5mm (Curve)	1	SW-2501806B	330643	S104 EVO Steering Linkage 5mm Ball Stud (L7mm)	10	SW-330643
	S104 Ball End 5mm			330664	S102 5mm Ball Stud (L10mm)	2	SW-330664
	S104 Ball End S			330763	S104 EVO 7075 Aluminum Rear Lower Arm Histic Changeable Toe-In Plate	1	SW-330763
	S104 5mm Steering Ball Cap (S)			338010	S35-3E/S35-TE/ZEUS/APOLLO Aluminum Steering Servo Mount for SAVOX	1	SW-338010
	S104 5mm Steering Ball Cap (M)			334001	S14-3 Pinion Gear 17T (5mm shaft)	2	SW-334001
2501807	S104 Plastic Shock Cap Stud	2	SW-2501807	334002	S14-3 Aluminum Shock Stud	4	SW-334002
	S104 Shock Ball End			334003	S14-3 Center Drive Join	2	SW-334003
2502524	S104 EVO ESC Smart Protection Plastic Holder	1	SW-2502524	334004	S14-3 T7075 Main Chassis	1	SW-334004
	S104 EVO Receiver Smart Protection Plastic Holder			334005	S14-3 T7075 Servo Saver Steering Plate	1	SW-334005
	S104 EVO Front Bumper			334006	S14-3 Center Drive Shaft 68mm	1	SW-334006
	S104 EVO Plastic Center Diff/Slipper Clutch Holder			334007	S14-3 Center Drive Shaft 102.5mm	1	SW-334007
2503210	Eccentric Busshing 0	2	SW-2503210	334008	S14-3 T7075 Aluminum Center Motor Mount (Bottom)	1	SW-334008
	Eccentric Busshing 0.5-0			334009	S14-3 T7075 Aluminum Motor Adjust Mount	1	SW-334009
	Eccentric Busshing 1.0-0			334010	S14-3 12mm Wheel Hex (4.7mm)	4	SW-334010
	Eccentric Busshing 0.5-0.5			334018	S14-3 Serie 3mm Shock Shaft (Long)	2	SW-334018
	Eccentric Busshing 1.0-1.0			334019	S14-3 Serie 3mm Shock Shaft (Short)	2	SW-334019
2502401BK	S102 Ball End Cap M(5mm)	1	SW-2502401BK	334020	S14-3 Series C Hub Bushing (A)(2.5)	2	SW-334020
	S102 Ball End Cup (S)(5mm)			334021	S14-3 Series C Hub Bushing (B)(0.7)	2	SW-334021
	S102 Ball End Cup(L)(5mm)			334022	S14-3 Series Lower Arm Hinge Pin (3x32mm)	2	SW-334022
	S102 Rear Arm Holder Insert (1 degree)			334024	S14-3 7075 Aluminum Rear Front Lower Fully Adjustable Toe-In Plate	1	SW-334024
	S102 Rear Arm Holder Insert (0 degree)			334025	S14-3 7075 Aluminum Front Lower Fully Adjustable Toe-In Plate	1	SW-334025
	S102 Arm Hinge Pin Insert			334026	S14-3 7075 Aluminum Front Rear Fully Adjustable Toe-In Block	1	SW-334026
	S102 Savor Servo Arm (25T)			334027	S14-3 T7075 Aluminum Center Diff. Mount	1	SW-334027
	S102 Savor Servo Arm(23T)			334028	S14-3 Pinion Gear Stopper (Aluminum) (5x7x4mm)	2	SW-334028
	S102 Savor Servo Arm(24T)			334029	S14-3 Wheel Hub Ball Bearing Stopper(Aluminum) (5x7x1mm)	4	SW-334029
220020	S143 Side Guard R	1	SW-220020	334030	S14-3 Center Slipper Clutch Holder	1	SW-334030
	S143 Side Guard L			334033	S14-3 Series Lower Arm Hinge Pin (3x52.3mm)	4	SW-334033
	S143 Battery Cover			334034	S14-3 Center Slipper Clutch Pad Outside	1	SW-334034
220021	S14-3 Plastic Center Rear Chassis T-Brace	1	SW-220021	334035	S14-3 Center Slipper Clutch Steel Pad	1	SW-334035
	S14-3 Plastic Center Front Chassis T-Brace			334036	S14-3 Center Slipper Clutch Pad Inside	1	SW-334036
	S143 Front Battery Holder			344001	S14-3 Pro-composite Rear Carbon Fiber Shock Tower	1	SW-344001
	S143 Rear Battery Holder			344003	S14-3 Pro-composite Front Steering Upper Deck	1	SW-344003
	S143 Center Diff Mount Cover			344004	S14-3 Pro-composite Center Diff Upper Deck	1	SW-344004
220022	S143C Front Lower Arm Set	2	SW-220022	344005	S14-3 Pro-composite C Hub Front Carbon Fiber Shock Tower	1	SW-344005
	S143C Rear Lower Arm Set			344006	S14-3 Pro-composite Carbon Fiber Center Rear Chassis T-Brace (2.5mm)	1	SW-344006
	S143C Lower Arm Adjust insert			344007	S14-3 Pro-composite Carbon Fiber Center Front Chassis T-Brace(2.5mm)	1	SW-344007
220023-1	S143C Shock Spring Holder	4	SW-220023-1	344009-25	S14-3 Carbon Fiber Servo Mount Insert 2.5mm	4	SW-344009-25
220023	S143C Front Wheel Hub	2	SW-220023	354001	S14-3 POM Shock seal washer 3.0x6.5x2.0mm	8	SW-214003
	S143C Rear Wheel Hub			354002	S14-3 POM Shock seal washer 3.0X6.5X0.7mm	4	SW-214003
220024-9	S143C Front C Hub Left (9 Degree)	1	SW-220024-9	400002	O-ring S5	4	SW-400002
	S143C Front C Hub Right (9 Degree)			400013	S104 Shock Seal O-ring 2x2.7mm	6	SW-400013
220024-11	S143C Front C Hub Left (11 Degree)	1	SW-220024-11	400013A	S104 Shock Seal O-ring 2x2.7mm (M)	8	SW-214003
	S143C Front C Hub Right (11 Degree)			400014	S104 Aluminum Shock Spring Adjust Nut O-Ring 1.5x13.5mm	4	SW-400014
250042	SWORKz 1/10 sonic wing 6.5"	1	SW-250042	410047	S102 Shock Cap O-Ring (SP)	4	SW-410047
250053	S14-3 Velocity 2.0 Body Shell	1	SW-250053	410049	1/10 Shock Seal Cap O-ring (8*10*1)	4	SW-410049
250053-1	SWORKz 1/10 Off Road Formula Bulkhead Wing	1	SW-250053	610012	S104 Diff. Gasket (0.4T)	2	SW-610012
214001	S14-3 Axle Universal Cross Drive Shaft Set 74mm	2	SW-214001	610022	S14-3 Shorty Foam Battery Block	1	SW-610022
214002	S14-3 Axle Universal Cross Drive Shaft Set 69mm	2	SW-214002	610013A	S104 Center Slipper Clutch Pad	3	SW-610013A
354004-81	S14-3 Center Slipper Cluth Spur Gear 81T	1	SW-354004-81	510108	S14-3 Velocity II Body Decal Sheet	1	SW-250053
330134	Shock Ball Stud	4	SW-330134	510109	S14-3 Velocity II Body Window Mask	1	SW-250053
330155	Steering Servo Turnbuckle (M3x30mm)	6	SW-330155	510091	S-WORKz Origional Logo Sticker	1	SW-510091
330277	S104 Diff. Bevel Gear 18T	4	SW-330278	115131	S104 EVO Servo Saver Spring(H)	1	SW-115131
330278	S104 Diff. Bevel Gear 10T	8	SW-330278	115055	S104 Sway Bar 1.3mm	1	SW-115055
330279	S104 Bevel Gear Shaft	4	SW-330279	115056	S104 Sway Bar 1.5mm	1	SW-115056
330282	S104 Front/Rear Diff. Outdrive	4	SW-330282	115062	1/10 Body Clip	2	SW-115062
330283	S104 Pin M2.0x10mm	9	SW-330283	115136A	S14-3 Center Slipper Clutch Spring (1.3mm)(SL)	1	SW-115136A

Parts No. List

Part No.	Part Name	Q'ty in Use	Item No.
115155	S14-3 Front Shock Spring (40X1.2X7.5)(BK)	2	SW-115155
115156	S14-3 Rear Shock Spring (55X1.1X9.0)(BK)	2	SW-115156
116010	Ball Bearing 5x10x4mm	4	SW-116010
116013	Ball Bearing 10x15x4mm	6	SW-116013
116015	Ball Bearing 5x8x2.5mm	4	SW-116015
116016	Ball Bearing 5x11x4mm	8	SW-116016
117003	Flange Ball Bearing 3x6x2.5mm	2	SW-117003
101004	Washer 3.5X10X0.2mm	8	SW-101004
101007	Washer 3x8x0.5	2	SW-101007
101011	M2.6x6xT0.5mm	4	SW-101011
101012	M3x6xT0.5mm	4	SW-101012
101014A	M3 Pivot Ball Bushing(GM)	2	SW-101014A
101020A	S350 Sries 3mm Countersunk Washers (GM)	9	SW-101020A
101023	S104 Shim 10x12x0.1mm	2	SW-101023
101024	S104 Shim 10x12x0.2mm	4	SW-101024
101025	Shim 3.5x10x0.1mm	8	SW-101025
101026	S102 Aluminum Washer 3X6X1.5mm	8	SW-101026
103002	Flage Nylon Nut M4	4	SW-103002
103007	M3mm Nut Lock Thim (BK)	10	SW-103007
104004	M3x3mm Set Screw	6	SW-104004
104005	Set Screw M3x4	6	SW-104005
104009	M3x16mm Set Screw	1	SW-104009
104011	M4x4mm Set Screw (Flat Bottom)	2	SW-104011
106001	M3x8mm Hex Soket OH/TP Screw	15	SW-106001
106002	M3x10mm Hex Soket OH/TP Screw	18	SW-106002
106003	Button Head Screw M3x16mm	1	SW-106003
106005	M3x15mm Hex Soket OH/TP Screw	2	SW-106005
106008	M3x12mm Hex Soket OH/TP Screw	8	SW-106008
106010	M3x6mm Hex Soket OH/TP Screw	2	SW-106010
106013	M2.5x8mm 1.5mmHex Soket OH/ST Screw	4	SW-106013
106014	M2x6mm Hex Soket OH/TP Screw	8	SW-106014
106017	M3x14mm Hex Soket OH/TP Screw	6	SW-106017
106020	M2.5x5mm 1.5mmHex Soket OH/ST Screw	3	SW-106020
108001	M3x12mm FH/ST HEX Screw	12	SW-108001
108003	M3x10mm FH/ST HEX Screw	13	SW-108003
108006	M3x8mm FH/ST HEX Screw	29	SW-108006
108007	M3x6mm FH/ST HEX Screw	3	SW-108007
108017	M2.6x10mm FH/ST HEX Screw	8	SW-108017
108018	M3x30mm FH/ST HEX Screw	4	SW-108018
108020	M2.0x4mm FH/ST HEX Screw	4	SW-108020

Spare Part List

Item No.	Part Name	Item No.	Part Name
SW-220026WH	SWORKz 1/10 2/4WD Off Road Competition Rear Dish Wheel (WH) (4PC)	SW-334029	S14-3 Wheel Hub Ball Bearing Stopper(Aluminum) (5x7x1mm)
SW-220027WH	SWORKz 1/10 4WD Off Road Competition Front Dish Wheel (WH) (4PC)	SW-334030	S14-3 Center Slipper Clutch Holder
SW-220019	SWORKz 1/10 S14-3 Gear Box Set	SW-334033	S14-3 Series Lower Arm Hinge Pin (3x52.3mm)
SW-220020	SWORKz 1/10 S14-3 Side Guard Set (Standard Material)	SW-334034	S14-3 Center Slipper Clutch Pad Outside
SW-220021	SWORKz 1/10 S14-3 Plastic Center Chassis T-Brace Set (Standard Material)	SW-334035	S14-3 Center Slipper Clutch Steel Pad
SW-220022	SWORKz 1/10 S14-3 Front and Rear Lower Arm Set (Standard Material)	SW-344001	S14-3 Pro-composite Rear Carbon Fiber Shock Tower
SW-220023	SWORKz 1/10 S14-3 Front and Rear Wheel Hub Set	SW-344003	S14-3 Pro-composite Front Steering Upper Deck
SW-220023-1	SWORKz 1/10 S14-3 Shock Spring End (2PC)	SW-344004	S14-3 Pro-composite Center Diff Upper Deck
SW-220024-9	SWORKz 1/10 S14-3 Front C Hub Set (9 Degree)	SW-344005	S14-3 Pro-composite C Hub Front Carbon Fiber Shock Tower
SW-220024-11	SWORKz 1/10 S143C Front C Hub Set (11 Degree)	SW-344006	S14-3 Pro-composite Carbon Fiber Center Rear Chassis T-Brace (2.5mm)
SW-2501798A	S104 EVO Wing Stay Set with Bumper and Arm Holder	SW-344007	S14-3 Pro-composite Carbon Fiber Center Front Chassis T-Brace (2.5mm)
SW-2501808	S104 Plastic Insert Set	SW-344009-25	S14-3 Carbon Fiber Servo Mount Insert 2.5mm
SW-2501801B	S104 EVO Settring Bellcrank Set with Servo Horn Set	SW-354004-81	S14-3 Center Slipper Cluth Spur Gear 81T
SW-2501806B	S104 EVO Plastic Ball End Set	SW-400002	O-ring S5
SW-2501807	S104 Shock Spring Holder with Ball End Plastic Parts	SW-400013	S104 O-ring for Pinion Gear 7.65x1.2mm (2pc)
SW-2502524	S104 EVO Plastic Bumper Accessories Set	SW-400014	S104 Aluminum Shock Spring Adjust Nut O-Ring 1.5x13.5mm
SW-2502401BK	S12 Sries Ball End Caps and Hinge Pin Inserts (BK)	SW-410047	S102 Shock Cap O-Ring (SP)
SW-2503210	SWORKz 1/10 Eccentric Bushing Set	SW-410049	1/10 Shock Seal Cap O-ring (8*10*1)
SW-200341	S14/S104 Series Sway Bar Linkage(4PC)	SW-510091	S-WORKz Original Logo Sticker
SW-200193	Antenna Tube	SW-610012	S104 Diff. Gasket (0.4T) (2pc)
SW-210036	S104 Diff. Case Set	SW-610013A	S104 Center Slipper Clutch Pad
SW-214001	S14-3 Axle Universal Cross Drive Shaft Set 74mm	SW-610022	S14-3 Shorty Foam Battery Block
SW-214002	S14-3 Axle Universal Cross Drive Shaft Set 69mm	SW-101004	Washer 3.5X10X0.2mm
SW-214003	S14-3 series Shock Seal Kit (2 Sets)	SW-101007	Washer 3x8x0.5
SW-250042	SWORKz 1/10 sonic wing 6.5"	SW-101011	M2.6x6xT0.5mm
SW-250053	S14-3 Velocity 2.0 Body Shell with Formula Bulkhead Wing	SW-101012	M3x6xT0.5mm
SW-330134	Shock Ball Stud 6mmxL6.7	SW-101014A	M3 Pivot Ball Bushing(GM)
SW-330155	Steering Servo Turnbuckle (M3x30mm)	SW-101020A	S350 Sries 3mm Countersunk Washers (GM)
SW-330278	S104 Diff. Bevel Gear Set	SW-101023	S104 Shim 10x12x0.1mm
SW-330279	S104 Bevel Gear Shaft	SW-101024	Shim 10x12x0.2mm
SW-330282	S104 Front/Rear Diff. Outdrive	SW-101025	Shim 3.5x10x0.1mm
SW-330283	S104 Pin M2.0x10mm	SW-101026	S102 Aluminum Washer 3X6X1.5mm
SW-330284	S104 Crown Gear 42T	SW-103002	Flage Nylon Nut M4
SW-330293	S104 Rear Hub Carrier Hing pin (2pc)	SW-103007	M3 Nut Lock Thim (BK)
SW-330304A	S104 Aluminum Shock Spring Adjust Nut (BK)	SW-104004	M3x3mm Set Screw
SW-330315	Sway Bar Linkage Ball Stud (4pc)	SW-104005	Set Screw M3x4
SW-330327	S104 Servo Saver Shaft	SW-104009	M3x16mm Set Screw
SW-330328A	S104 Servo Saver Post(HC)	SW-104011	M4x4mm Set Screw (Flat Bottom)
SW-330329A	S104 Servo Saver Nut (GM)	SW-106001	M3x8mm Hex Soket OH/TP Screw
SW-330331	S104 Steering Linkage 5mm Ball Stud (L4.1mm) (4pc)	SW-106002	M3x10mm Hex Soket OH/TP Screw
SW-330335GM	S14/S12 series Aluminum Rear Wing Washer (GM)	SW-106003	M3x16mm Hex Soket OH/TP Screw
SW-330409	S104 Motor Gear 19T	SW-106005	M3x15mm Hex Soket OH/TP Screw
SW-330529A	S14/12 Series Rear Shock Body for Long Shock System(L)(2PC)	SW-106008	M3x12mm Hex Soket OH/TP Screw
SW-330530A	S14/12 Series Front Shock Body for Long Shock System (S)(2PC)	SW-106010	M3x6mm Hex Soket OH/TP Screw
SW-330544	S102 Shoick Seal Cover (SP)	SW-106013	M2.5x8mm 1.5mmHex Soket OH/ST Screw
SW-330546	S102 Shock Cap (SP)	SW-106014	M2x6mm Hex Soket OH/TP Screw
SW-330547	S104EVO/S102 Shock Piston(1.5mmX2 Holes)	SW-106017	M3x14mm Hex Soket OH/TP Screw
SW-330589	S14/S104 EVO Aluminum Center Slipper Clutch Pad Inside	SW-106020	M2.5x5mm 1.5mmHex Soket OH/ST Screw
SW-330591	S104 EVO Center Slipper Clutch Spring Nut	SW-108001	M3x12mm FH/ST HEX Screw
SW-330592	S104 EVO Center Slipper Clutch Outdrive	SW-108003	M3x10mm FH/ST HEX Screw
SW-330600	S104 EVO Aluminum Steering Bellcrank A Upper	SW-108006	M3x8mm FH/ST HEX Screw
SW-330643	S104 EVO Steering Linkage 5mm Ball Stud (L7mm)	SW-108007	M3x6mm FH/ST HEX Screw
SW-330664	S102 5mm Ball Stud (L10mm)	SW-108017	M2.6x10mm FH/ST HEX Screw
SW-330763	S104 EVO 7075 Aluminum Rear Lower Arm Histic Changeable Toe-In Plate	SW-108018	M3x30mm FH/ST HEX Screw
SW-338010	S35-3E/S35-TE/ZEUUS/APOLLO Aluminum Steering Servo Mount for SAVOX	SW-108020	M2.0x4mm FH/ST HEX Screw
SW-334001	S14-3 Pinion Gear 17T (5mm shaft)	SW-115055	S104 Sway Bar 1.3mm
SW-334002	S14-3 Aluminum Shock Stud	SW-115056	S104 Sway Bar 1.5mm
SW-334003	S14-3 Center Drive Join	SW-115062	1/10 Body Clip
SW-334004	S14-3 T7075 Main Chassis	SW-115131	S104 EVO Servo Saver Spring(H)
SW-334005	S14-3 T7075 Servo Saver Steering Plate	SW-115136A	S14-3 Center Slipper Clutch Spring (1.3mm)(SL)
SW-334006	S14-3 Center Drive Shaft 68mm	SW-115155	S14-3 Front Shock Spring (40X1.2X7.5)(BK)
SW-334007	S14-3 Center Drive Shaft 102.5mm	SW-115156	S14-3 Rear Shock Spring (55X1.1X9.0)(BK)
SW-334008	S14-3 T7075 Aluminum Center Motor Mount (Bottom)	SW-116010	Ball Bearing 5x10x4mm
SW-334009	S14-3 T7075 Aluminum Motor Adjust Mount	SW-116013	Ball Bearing 10x15x4mm
SW-334010	S14-3 12mm Wheel Hex (4.7mm)	SW-116015	Ball Bearing 5x8x2.5mm
SW-334018	S14-3 Serie 3mm Shock Shaft (Long)	SW-116016	Ball Bearing 5x11x4mm
SW-334019	S14-3 Serie 3mm Shock Shaft (Short)	SW-117003	Flange Ball Bearing 3x6x2.5mm (2pc)
SW-334020	S14-3 Series C Hub Bushing (A)(2.5)		
SW-334021	S14-3 Series C Hub Bushing (B)(0.7)		
SW-334022	S14-3 Series Lower Arm Hinge Pin (3x32mm)		
SW-334024	S14-3 7075 Aluminum Rear Front Lower Fully Adjustable Toe-In Plate		
SW-334025	S14-3 7075 Aluminum Front Lower Fully Adjustable Toe-In Plate		
SW-334026	S14-3 7075 Aluminum Front Rear Fully Adjustable Toe-In Block		
SW-334027	S14-3 T7075 Aluminum Center Diff. Mount		
SW-334028	S14-3 Pinion Gear Stopper (Aluminum) (5x7x4mm)		

Option Parts List

Item No.	Part Name
SW-115057	S104 Sway Bar 1.8mm
SW-115084	S104 Sway Bar 1.1mm
SW-115085	S104 Sway Bar 1.2mm
SW-115086	S104 Sway Bar 1.4mm
SW-115087	S104 Sway Bar 1.6mm
SW-115138	SWORKz S14 Series Sway Bar 2.0mm
SW-210039	S104 Series F/R Diff. Set (42T)
SW-2501800ABK	S104 Rear Wing Set (W/O Holes) (BK)
SW-2501800AFY	S104 Rear Wing Set (W/O Holes) (FY)
SW-2501800AOG	S104 Rear Wing Set (W/O Holes) (OR)
SW-2501800AWH	S104 Rear Wing Set (W/O Holes) (WH)
SW-250042	SWORKz 1/10 sonic lexan wing 6.5"
SW-250042BK	SWORKz 1/10 sonic lexan wing 6.5" (BK)
SW-250042WH	SWORKz 1/10 sonic lexan wing 6.5" (WH)
SW-330335	S104 Aluminum Rear Wing Washer
SW-330338	S104 Aluminum Battery Holder Nut (4pc)
SW-330324	S104 Motor Gear 20T
SW-330410	S104 Motor Gear 21T
SW-330411	S104 Motor Gear 22T
SW-330412	S104 Motor Gear 23T
SW-330413	S104 Motor Gear 24T
SW-220020H	SWORKz 1/10 S14-3 Side Guard Set in Pro-composite Hard Material
SW-220020-3H	SWORKz 1/10 S14-3 S14-3 Battery Cover in Pro-composite Hard Material
SW-220021H	SWORKz 1/10 S14-3 Plastic Center Chassis T-Brace Set in Pro-composite Hard Material
SW-220022H	SWORKz 1/10 S14-3 Front and Rear Lower Arm Set in Pro-composite Hard Material
SW-334011	S14-3 12mm Wheel Hex (5.7mm)(Option)(2PC)
SW-334038	S14-3 12mm Wheel Hex (6.7mm)(Option)
SW-334039	S14-3 12mm Wheel Hex (7.7mm)(Option)
SW-344008	S14-3 Pro-composite Option Front Steering Upper Deak (Soft)(Option)
SW-354004-78	S14-3 High Performance CNC Center Slipper Cluth Spur Gear 78T
SW-354004-72	S14-3 High Performance CNC Center Slipper Cluth Spur Gear 72T
SW-220027FY	SWORKz 1/10 4WD Off Road Competition Front Dish Wheel (FY) (4PC)
SW-220026FY	SWORKz 1/10 2/4WD Off Road Competition Rear Dish Wheel (FY) (4PC)
SW-214004	S14-3 Series Sway Bar Kit (1.1/1.2/1.3/1.4/1.5/1.6/1.8/2.0mm)
SW-214005	S14-3 Center Slipper Clutch Complete Set (81T)
SW-214006	S14-3 Complete Front Shock Set (Without Springs)
SW-214007	S14-3 Complete Rear Shock Set (Without Springs)
SWC-115140	S14/S12/S104 Competition Shock SpringA2(45X1.2X8.5)(FY)
SWC-115141	S14/S12/S104 Competition Shock SpringA3(45X1.2X8.0)(GN)
SWC-115142	S14/S12/S104 Competition Shock SpringB1(60X1.2X10.75)(PN)
SWC-115143	S14/S12/S104 Competition Shock SpringB2(60X1.2X10.25)(FO)
SWC-115146	S14/S12/S104 Competition Shock SpringA5(45X1.2X7.0)(PR)
SWC-115147	S14/S12/S104 Competition Shock SpringB4(60X1.2X9.25)(SB)
SW-115136B	S14-3 Center Slipper Clutch Spring (1.4mm)(GD)



SPEEDMASTER HOBBY CO., LTD.

TEL: +886-3-538-7638

FAX: +886-3-538-7328

No.42, Ruiguang St., Xiangshan Dist.,
Hsinchu City 300, Taiwan (R.O.C.)

www.sworkz.com